

NEW COUNTEREXAMPLES TO THE CELL FORMULA IN NONCONVEX HOMOGENIZATION

MARCO BARCHIESI & ANTOINE GLORIA

Abstract. In this article we show that for the homogenization of multiple integrals, the quasiconvexification of the cell formula is different from the asymptotic formula in general. To this aim, we construct three examples in three different settings: the homogenization of a discrete model, the homogenization of a composite material and the homogenization of a homogeneous material on a perforated domain.

Keywords: homogenization, quasiconvexity, cell formula

2000 Mathematics Subject Classification: 35B27, 49J45, 73B27, 74E30, 74Q05.

CONTENTS

1. Introduction	1
2. Homogenization of multiple integrals and the cell formula	3
2.1. Continuous and discrete homogenization of nonconvex functionals	3
2.2. Short summary of convexity properties	6
2.3. Stefan Müller's counterexample	10
2.4. Counterexample by comparison of the zero level-sets	12
3. Counterexamples from composite materials	12
3.1. Discrete example	12
3.2. An example from solid-solid phase transformations	15
3.3. Comparison of both examples	19
4. Counterexample on perforated domains	19
Appendix: Stefan Müller's example in dimension three	26
References	30

1. INTRODUCTION

For the homogenization of periodic integral functionals of the type

$$I_\varepsilon(u) := \int_{\Omega \cap \varepsilon P} W\left(\frac{x}{\varepsilon}, \nabla u(x)\right) dx,$$

with suitable assumptions (recalled in Section 2.1), the Γ -limit is

$$I_{\text{hom}}(u) := \int_{\Omega} W_{\text{hom}}(\nabla u(x)) dx,$$

where W_{hom} is obtained through an asymptotic formula by increasing the period of the test functions considered. If the integrand $W(x, \cdot)$ happens to be convex almost everywhere,

Date: February 23, 2010.

then the asymptotic formula reduces to a minimization problem on the unit cell with periodic boundary conditions, that we denote by W_{cell} . A counterexample due to Stefan Müller (see [13]) shows that in general, for quasiconvex nonconvex energy densities, the inequality $W_{\text{cell}} \geq W_{\text{hom}}$ can be strict. More recently, Jean-François Babadjian and the first author gave another such example in [4].

As will be made precise in Section 2 for both examples, the energy density W_{cell} is not rank-one convex. In addition, in both cases, considering the quasiconvex envelop $\mathcal{Q}W_{\text{cell}}$ of W_{cell} *surprisingly* removes the contradiction which allows to conclude that $W_{\text{cell}} > W_{\text{hom}}$. Hence, none of the known examples shows that the inequality $\mathcal{Q}W_{\text{cell}} \geq W_{\text{hom}}$ can be strict, although this is to be expected.

The aim of this paper is twofold: to show that the known counterexamples to the cell formula are not rigid enough to prove that $\mathcal{Q}W_{\text{cell}} > W_{\text{hom}}$, and then to provide some new examples for which the latter strict inequality can be shown. The article is organized as follows. In Section 2, we recall standard results on homogenization as well as the two counterexamples to the cell formula mentioned above. We then show for each example that the methods used by their respective authors to prove the disagreement of W_{cell} with W_{hom} fail to prove the disagreement of $\mathcal{Q}W_{\text{cell}}$ with W_{hom} . The rest of the paper is then dedicated to the construction of three different examples for which there exists a deformation gradient Λ such that $\mathcal{Q}W_{\text{cell}}(\Lambda) > W_{\text{hom}}(\Lambda)$. The examples are built in dimension two and they are based on the fact that replacing $(0,1)^2$ -periodicity by $(0,2)^2$ -periodicity is enough to relax significantly the energy to obtain the desired strict inequality. The first example is a discrete example where the keyrole is played by the very strong rigidity of discrete gradients. The second example is based on the same geometry but is written in a continuous setting and exploits the rigidity of the incompatible two-well problem together with an interplay between the geometry, the periodicity and the zero level-set of the energy densities. These examples are presented in Section 3. The last example is the object of Section 4. It relies on the homogenization of a homogeneous material on a perforated domain, for which we prove that the zero level-set of W_{cell} is contained in a quasiconvex set which is strictly contained in the zero level-set of W_{hom} . This is in particular the first example which shows the disagreement of W_{cell} and W_{hom} (as well as $\mathcal{Q}W_{\text{cell}}$ and W_{hom}) for the homogenization of a homogeneous material on a perforated domain.

Although the main result of this article is technical, we believe the examples are of independent interest. We therefore provide the non-specialist reader with the required background on convexity properties in Section 2.2.

Throughout the paper, we employ the following notation:

- Ω is a bounded open subset of \mathbb{R}^d ;
- $Q = (0, 1)^d$ denotes the unit cell;
- $Q_n = (0, n)^d$ for all $n \in \mathbb{N}$;
- $Q^m = m + Q$ for all $m \in \mathbb{Z}^d$;
- χ_U is the characteristic function of a subset U of \mathbb{R}^d ;
- \mathbb{M}^d is the set of $d \times d$ real matrices;
- $\mathbb{M}_{\text{sym}}^d$ is the set of $d \times d$ symmetric real matrices;
- SO_d is the family of the elements Λ of \mathbb{M}^d such that $\det \Lambda = 1$ and $\Lambda^T \Lambda = \mathbb{I}$, where $\mathbb{I} \in \mathbb{M}^d$ is the identity matrix;

- $|\Lambda| := \sqrt{\text{trace}(\Lambda^T \Lambda)}$ is the Frobenius norm of a matrix $\Lambda \in \mathbb{M}^d$;
- \mathcal{L}^d denotes the d -dimensional Lebesgue measure;
- $W_{\text{per}}^{1,p}(Q_n, \mathbb{R}^d)$ is the space of $W_{\text{loc}}^{1,p}(\mathbb{R}^d, \mathbb{R}^d)$ functions which are Q_n -periodic;
- As a general rule, c denotes a constant which may vary from line to line but which is independent of the variables left.

2. HOMOGENIZATION OF MULTIPLE INTEGRALS AND THE CELL FORMULA

2.1. Continuous and discrete homogenization of nonconvex functionals. In this section, we recall classical results of periodic homogenization of multiple integrals, as well as (less) classical results of periodic homogenization of discrete systems. We refer the reader to the monograph [8] for continuous homogenization and to the article [1] for discrete homogenization.

Definition 1. Let \mathcal{U} be a normed space. We say that $I : \mathcal{U} \rightarrow [-\infty, +\infty]$ is the Γ -limit of a sequence $I_h : \mathcal{U} \rightarrow [-\infty, +\infty]$, or that I_h Γ -converges to I , if for every $u \in \mathcal{U}$ the following conditions are satisfied:

- i) *Liminf inequality*: for every sequence u_h in \mathcal{U} such that $u_h \rightarrow u$,

$$I(u) \leq \liminf_{h \rightarrow +\infty} I_h(u_h);$$

- ii) *Recovery sequence*: there exists a sequence u_h in \mathcal{U} such that $u_h \rightarrow u$ and

$$I(u) = \lim_{h \rightarrow +\infty} I_h(u_h).$$

Let $d \in \mathbb{N}$. We focus on Γ -convergence of integral functionals on the normed space $L^p(\Omega, \mathbb{R}^d)$, $p \in (1, +\infty)$, in the context of periodic homogenization.

Let $a > 0$. We denote by $\mathcal{W}(a, p)$ the set of all continuous functions $W : \mathbb{M}^d \rightarrow [0, +\infty)$ satisfying the following coerciveness and growth conditions of order p :

$$\frac{1}{a} |\Lambda|^p - a \leq W(\Lambda) \leq a(1 + |\Lambda|^p) \quad \text{for all } \Lambda \in \mathbb{M}^d. \quad (2.1)$$

Hypothesis 1. $W : \mathbb{R}^d \times \mathbb{M}^d \rightarrow [0, +\infty)$ is a Carathéodory function Q -periodic in the first variable such that $W(x, \cdot) \in \mathcal{W}(a, p)$ for \mathcal{L}^d -a.e. $x \in Q$.

Hypothesis 2. P is a Q -periodic and open subset of \mathbb{R}^d with Lipschitz boundary such that $Q \setminus P \subset\subset Q$. Note that in particular P is connected.

Under Hypotheses 1 and 2, we consider for any $\varepsilon > 0$ the functional $I_\varepsilon : L^p(\Omega, \mathbb{R}^d) \rightarrow [0, +\infty]$ defined by

$$I_\varepsilon(u) := \begin{cases} \int_{\Omega \cap \varepsilon P} W\left(\frac{x}{\varepsilon}, \nabla u(x)\right) dx & \text{if } u|_{\Omega \cap \varepsilon P} \in W^{1,p}(\Omega \cap \varepsilon P, \mathbb{R}^d), \\ +\infty & \text{otherwise.} \end{cases}$$

Definition 2. We call *cell integrand* related to (W, P) the function $W_{\text{cell}} : \mathbb{M}^d \rightarrow [0, +\infty)$ defined by

$$W_{\text{cell}}(\Lambda) := \inf \left\{ \int_{Q \cap P} W(x, \Lambda + \nabla \phi(x)) dx : \phi \in W_{\text{per}}^{1,p}(Q, \mathbb{R}^d) \right\}. \quad (2.2)$$

If $P = \mathbb{R}^d$ we simply say that W_{cell} is the cell integrand related to W .

We call *homogenized integrand* related to (W, P) the function $W_{\text{hom}} : \mathbb{M}^d \rightarrow [0, +\infty)$ defined by

$$W_{\text{hom}}(\Lambda) := \lim_{n \rightarrow \infty} \frac{1}{n^d} \inf \left\{ \int_{Q_n \cap P} W(x, \Lambda + \nabla \phi(x)) dx : \phi \in W_{\text{per}}^{1,p}(Q_n, \mathbb{R}^d) \right\}.$$

If $P = \mathbb{R}^d$ we simply say that W_{hom} is the homogenized integrand related to W . Since Q -periodic functions are also Q_n -periodic for all $n \in \mathbb{N}$, it follows that $W_{\text{cell}} \geq W_{\text{hom}}$.

The following theorem is a standard result (See [8, Theorem 19.1 and Remark 19.2]).

Theorem 1. *Assume that W satisfies Hypothesis 1 and that P satisfies Hypothesis 2. Then the homogenized integrand W_{hom} related to (W, P) is a quasiconvex function belonging to $\mathcal{W}(b, p)$ for a suitable $b = b(a, p, P)$, and for any $\varepsilon_h \searrow 0^+$ the sequence I_{ε_h} Γ -converges to the functional $I_{\text{hom}} : L^p(\Omega, \mathbb{R}^d) \rightarrow [0, +\infty]$ defined by*

$$I_{\text{hom}}(u) := \begin{cases} \int_{\Omega} W_{\text{hom}}(\nabla u(x)) dx & \text{if } u \in W^{1,p}(\Omega, \mathbb{R}^d), \\ +\infty & \text{otherwise.} \end{cases}$$

In addition, if $W(x, \cdot)$ is convex for \mathcal{L}^d -a.e. $x \in Q$, then W_{hom} is also convex and coincides with the cell integrand W_{cell} related to (W, P) .

A result similar to Theorem 1 holds in a discrete setting, as shown in [1]. We give here a simpler version, for which we only consider nearest-neighbors interactions. We also need to slightly extend the result in [1] to take into account volumetric effects, which we will need in Section 3. Yet, the result remains essentially the same as announced in [2], and further details will be given in [3].

Definition 3. Let \mathcal{T} be a tessellation in d -simplices of \mathbb{R}^d obtained as the Q -periodic replication of a tessellation of Q , and \mathcal{P} be the set of vertices of \mathcal{T} . We define the couples of nearest neighbors by

$$\mathcal{NN} := \{(x, y) \in (\mathcal{P} \cap \overline{Q})^2 : \exists T \in \mathcal{T} \text{ having } [x, y] \text{ as an edge}\}.$$

For all $\varepsilon > 0$ and for all open subset U of \mathbb{R}^d , we define

$$\mathcal{S}_{\varepsilon}(U, \mathbb{R}^d) := \{u \in C^0(U, \mathbb{R}^d) : u \text{ is affine on } (\varepsilon T) \cap U \text{ for each element } T \in \mathcal{T}\}.$$

For $\varepsilon = 1$, we simply write $\mathcal{S}(U, \mathbb{R}^d) = \mathcal{S}_{\varepsilon}(U, \mathbb{R}^d)$. Moreover, we write

$$\mathcal{S}_{\text{per}}(Q_n, \mathbb{R}^d) := \{u \in \mathcal{S}(\mathbb{R}^d, \mathbb{R}^d) : u \text{ is } Q_n\text{-periodic}\}.$$

We are now in position to define energy functionals on discrete systems.

Definition 4. Let $f_1 : Q \times Q \times \mathbb{R}^d \rightarrow [0, +\infty)$ and $f_2 : Q \times \mathbb{R} \rightarrow [0, +\infty)$ be continuous functions and let $\varepsilon > 0$. For any bounded open subset U of \mathbb{R}^d , we define the energy of $u \in \mathcal{S}_{\varepsilon}(U, \mathbb{R}^d)$ as

$$F_{\varepsilon}(u, U) := \sum_{m \in \mathbb{Z}^d : \varepsilon Q^m \subseteq U} F_{\varepsilon}^m(u),$$

(with the convention $\sum_{\emptyset} = 0$) where, for any $m \in \mathbb{Z}^d$ such that $\varepsilon Q^m \subseteq U$,

$$F_\varepsilon^m(u) := \varepsilon^d \sum_{(x,y) \in \mathcal{NN}} f_1 \left(x, y, \frac{u(\varepsilon m + \varepsilon x) - u(\varepsilon m + \varepsilon y)}{\varepsilon |x - y|} \right) \\ + \varepsilon^d \int_Q f_2(x, \det \nabla u(\varepsilon m + \varepsilon x)) dx.$$

If $\varepsilon = 1$, we simply write $F(u, U) = F_\varepsilon(u, U)$. Finally, we define the functional $I_\varepsilon : L^p(\Omega, \mathbb{R}^d) \rightarrow [0, +\infty]$ by

$$I_\varepsilon(u) := \begin{cases} F_\varepsilon(u, \Omega) & \text{if } u \in S_\varepsilon(\Omega, \mathbb{R}^d), \\ +\infty & \text{otherwise.} \end{cases}$$

As for the continuous setting, we may define a cell integrand and a homogenized integrand as follows.

Definition 5. For all $\Lambda \in \mathbb{M}^d$, let $\varphi_\Lambda : \mathbb{R}^d \rightarrow \mathbb{R}^d$ be given by $\varphi_\Lambda(x) := \Lambda \cdot x$. We call *cell integrand* related to (\mathcal{T}, F) the function $W_{\text{cell}} : \mathbb{M}^d \rightarrow [0, +\infty)$ defined by

$$W_{\text{cell}}(\Lambda) := \inf \{ F(\varphi_\Lambda + \phi, Q) : \phi \in \mathcal{S}_{\text{per}}(Q, \mathbb{R}^d) \}.$$

We call *homogenized integrand* related to (\mathcal{T}, F) the function $W_{\text{hom}} : \mathbb{M}^d \rightarrow [0, +\infty)$ defined by

$$W_{\text{hom}}(\Lambda) := \lim_{n \rightarrow \infty} \frac{1}{n^d} \inf \{ F(\varphi_\Lambda + \phi, Q_n) : \phi \in \mathcal{S}_{\text{per}}(Q_n, \mathbb{R}^d) \}.$$

We have the following result (see [1, 3]).

Theorem 2. Let \mathcal{T} , f_1 , f_2 , I_ε and W_{hom} be as in Definitions 3-5. Let us further assume that there exist $a > 0$ and $p \in (1, \infty)$ such that

$$0 \leq f_2(x, z) \leq a(1 + |z|^{p/d}) \quad \text{for all } (x, z) \in Q \times \mathbb{R}, \\ \frac{1}{a} |w|^p - a \leq f_1(x, y, w) \leq a(1 + |w|^p) \quad \text{for all } (x, y, w) \in Q \times Q \times \mathbb{R}^d,$$

Then the homogenized integrand W_{hom} associated with (\mathcal{T}, F) is a quasiconvex function belonging to $\mathcal{W}(b, p)$ for a suitable $b = b(a, \mathcal{T})$, and for any $\varepsilon_h \searrow 0^+$ the sequence I_{ε_h} Γ -converges to the functional $I_{\text{hom}} : L^p(\Omega, \mathbb{R}^d) \rightarrow [0, +\infty]$ defined by

$$I_{\text{hom}}(u) := \begin{cases} \int_\Omega W_{\text{hom}}(\nabla u(x)) dx & \text{if } u \in W^{1,p}(\Omega, \mathbb{R}^d), \\ +\infty & \text{otherwise.} \end{cases}$$

In addition, if $f_2 \equiv 0$ and if $f_1(x, y, \cdot)$ is a convex function for all $x, y \in Q$, then W_{hom} is also convex and coincides with the cell integrand W_{cell} related to (\mathcal{T}, F) .

2.2. Short summary of convexity properties. In this section, we recall the notions of polyconvexity, quasiconvexity and rank-one convexity of functions and sets. We refer the reader to [9, 10, 14] for details. We also state and prove some elementary lemmata that will be used in the analysis of the counterexamples.

Definition 6. (quasiconvex function) A locally bounded and Borel measurable function $W : \mathbb{M}^d \rightarrow \mathbb{R}$ is said to be *quasiconvex* if

$$W(\Lambda) := \inf \left\{ \int_Q W(\Lambda + \nabla \phi(x)) dx : \phi \in W_0^{1,\infty}(Q, \mathbb{R}^d) \right\}.$$

Given $W : \mathbb{M}^d \rightarrow \mathbb{R}$ we define the *quasiconvex envelope* of W as

$$\mathcal{Q}W(\Lambda) := \sup \{ V(\Lambda) \text{ such that } V \text{ is quasiconvex and } V \leq W \}$$

with the convention $\sup \emptyset = -\infty$. If $\mathcal{Q}W \neq -\infty$, then it is quasiconvex function. Moreover, if W is also locally bounded and Borel measurable, then

$$\mathcal{Q}W(\Lambda) = \inf \left\{ \int_U W(\Lambda + \nabla \phi(x)) dx : \phi \in W_0^{1,\infty}(U, \mathbb{R}^d) \right\}, \quad (2.3)$$

where U is any bounded open subset of \mathbb{R}^d . In particular, the infimum in the formula is independent of the choice of U . If $U = Q$, then $W_0^{1,\infty}(Q, \mathbb{R}^d)$ can be replaced by $W_{\text{per}}^{1,\infty}(Q, \mathbb{R}^d)$.

Lemma 1. (*minimality property*) Assume that W satisfies Hypothesis 1 and that P satisfies Hypothesis 2. If $W(x, \cdot)$ is quasiconvex for \mathcal{L}^d -a.e. $x \in \Omega$, then

$$W_{\text{cell}}(\Lambda) = \min \left\{ \int_{Q \cap P} W(x, \Lambda + \nabla \phi(x)) dx : \phi \in W_{\text{per}}^{1,p}(Q, \mathbb{R}^d) \right\}.$$

Proof. Since $Q \cap P$ has Lipschitz boundary, each function $\varphi \in W^{1,p}(Q \cap P, \mathbb{R}^d)$ can be extended to a function $\tilde{\varphi} \in W^{1,p}(Q, \mathbb{R}^d)$. As a consequence, $\{\phi|_{Q \cap P} : \phi \in W_{\text{per}}^{1,p}(Q, \mathbb{R}^d)\}$ is a weakly sequentially closed subset of $W^{1,p}(Q \cap P, \mathbb{R}^d)$.

Then, since $\phi \mapsto \int_{Q \cap P} W(x, \Lambda + \nabla \phi(x)) dx$ is sequentially weakly lower semicontinuity in $W^{1,p}(Q \cap P, \mathbb{R}^d)$ because the quasiconvexity, the thesis follows from the direct method of the calculus of variations. \square

Definition 7. (polyconvex function) For any matrix $\Lambda \in \mathbb{M}^d$, let denote by $\mathbf{M}(\Lambda)$ the vector that consists of all minors of Λ , and denote by $\delta(d)$ its length. We can identify $\mathbf{M}(\Lambda)$ with a point of $\mathbb{R}^{\delta(d)}$. We say that a function $W : \mathbb{M}^d \rightarrow \mathbb{R}$ is *polyconvex* if there exists a convex function $g : \mathbb{R}^{\delta(d)} \rightarrow \mathbb{R}$ such that for all $\Lambda \in \mathbb{M}^d$,

$$W(\Lambda) = g(\mathbf{M}(\Lambda)).$$

Definition 8. (rank-one convex function) We say that $W : \mathbb{M}^d \rightarrow \mathbb{R}$ is *rank-one convex* if

$$W(tA + (1-t)B) \leq tW(A) + (1-t)W(B)$$

for all $t \in [0, 1]$ and for all $A, B \in \mathbb{M}^d$ rank-one connected, *i.e.*, such that $\text{rank}(B - A) = 1$. Given $W : \mathbb{M}^d \rightarrow \mathbb{R}$ we define the *rank-one convex envelope* of W as

$$\mathcal{R}W(\Lambda) := \sup \{ V(\Lambda) \text{ such that } V \text{ is rank-one convex and } V \leq W \}$$

with the convention $\sup \emptyset = -\infty$. If $\mathcal{R}W \neq -\infty$, then it is a rank-one convex function.

Lemma 2. *Let $W : \mathbb{M}^d \rightarrow \mathbb{R}$, then there holds*

$$W \text{ convex} \implies W \text{ polyconvex} \implies W \text{ quasiconvex} \implies W \text{ rank-one convex}.$$

One can extend the notions of convexity, polyconvexity, quasiconvexity and rank-one convexity to sets.

Definition 9. (polyconvex, quasiconvex and rank-one convex sets) Let K be a compact subset of \mathbb{M}^d . We define the polyconvex hull K^{pc} , quasiconvex hull K^{qc} and rank-one convex hull K^{rc} of K by

$$\begin{aligned} K^{pc} &:= \{\Lambda \in \mathbb{M}^d : f(\Lambda) = 0 \quad \forall f \in \mathcal{K} \text{ polyconvex}\}, \\ K^{qc} &:= \{\Lambda \in \mathbb{M}^d : f(\Lambda) = 0 \quad \forall f \in \mathcal{K} \text{ quasiconvex}\}, \\ K^{rc} &:= \{\Lambda \in \mathbb{M}^d : f(\Lambda) = 0 \quad \forall f \in \mathcal{K} \text{ rank-one convex}\}, \end{aligned}$$

where $\mathcal{K} := \{f : \mathbb{M}^d \rightarrow [0, +\infty) \text{ such that } f|_K \equiv 0\}$. The set K is said to be polyconvex if $K = K^{pc}$, quasiconvex if $K = K^{qc}$ and rank-one convex if $K = K^{rc}$. We have the inclusions $K^{rc} \subseteq K^{qc} \subseteq K^{pc} \subseteq K^{co}$, where the superscript *co* denotes the classical convex hull.

We have the following useful characterizations of K^{qc} and K^{pc} .

Lemma 3. ([14, Theorem 4.10]). *Given a compact set $K \subseteq \mathbb{M}^d$, a matrix $A \in \mathbb{M}^d$ belongs to K^{qc} if and only if there exists a sequence ψ_h bounded in $W^{1,\infty}(Q, \mathbb{R}^d)$ such that*

$$\begin{aligned} \text{dist}(\nabla \psi_h, K) &\rightarrow 0 \text{ in measure;} \\ \psi_h(x) &= A \cdot x \text{ for } x \in \partial Q. \end{aligned}$$

Lemma 4. ([12, Lemma 1]). *Given a compact set $K \subseteq \mathbb{M}^d$, a matrix $A \in \mathbb{M}^d$ belongs to K^{pc} if and only if $\mathbf{M}(A)$ lies in $\{\mathbf{M}(\Lambda) : \Lambda \in K\}^{co}$.*

The sets we will be interested in are the zero level-sets of energy densities defined as follows.

Definition 10. Let $W : \mathbb{M}^d \rightarrow [0, +\infty)$ be a continuous function, we define its zero level-set as

$$W^{-1}(0) = \{\Lambda \in \mathbb{M}^d : W(\Lambda) = 0\}.$$

Note that, if W is a quasiconvex function, then $W^{-1}(0)$ is a quasiconvex set.

Lemma 5. *If $W \in \mathcal{W}(a, p)$, then*

$$\mathcal{Q}W^{-1}(0) = (W^{-1}(0))^{qc}.$$

Proof. Let $K := W^{-1}(0)$. The inclusion $K^{qc} \subseteq \mathcal{Q}W^{-1}(0)$ is straightforward and we only need to prove the opposite one. This proof makes use of Young measures, for which we refer the reader to [14] for a comprehensive treatment.

Let $A \in \mathcal{Q}W^{-1}(0)$. By formula (2.3), there exists $\phi_h \in W_0^{1,\infty}(Q, \mathbb{R}^d)$ such that

$$0 = \mathcal{Q}W(A) = \lim_{h \rightarrow +\infty} \int_Q W(A + \nabla \phi_h(x)) dx.$$

As a consequence of the p -coercivity of W and Poincaré's inequality, the sequence $\psi_h(x) := A \cdot x + \phi_h(x)$ is bounded in $W^{1,p}(Q, \mathbb{R}^d)$. Thus, up to extraction, $\nabla \psi_h$ generates a Young

measure $\mu : Q \ni x \mapsto \mu_x \in \mathcal{P}(\mathbb{M}^d)$, where $\mathcal{P}(\mathbb{M}^d)$ denotes the family of probability measures on \mathbb{M}^d .

By the fundamental theorem on Young measures (see [14, Theorem 3.1]), we get

$$0 = \lim_{h \rightarrow +\infty} \int_Q W(A + \nabla \phi_h(x)) dx \geq \int_Q \left(\int_{\mathbb{M}^d} W(\Lambda) d\mu_x(\Lambda) \right) dx$$

and therefore by [6, Lemma 3.3] $\text{supp}\mu_x \subseteq K$ for \mathcal{L}^d -a.e. $x \in Q$. Again by the fundamental theorem, this implies that

$$\text{dist}(\nabla \psi_h, K) \rightarrow 0 \text{ in measure.} \quad (2.4)$$

By using Zhang's lemma (see [14, Lemma 4.21]), ψ_h can be modified on small sets so that its gradient be bounded in $L^\infty(Q, \mathbb{M}^d)$, while keeping conditions (2.4) and $\psi_h(x) = A \cdot x$ for $x \in \partial Q$. The thesis follows now by Lemma 3. \square

We will also make use of the following results about the cell integrand.

Lemma 6. *Assume that W satisfies Hypothesis 1 and that P satisfies Hypothesis 2. If $W(x, \cdot)$ is quasiconvex for \mathcal{L}^d -a.e. $x \in \Omega$, then the cell integrand W_{cell} related to (W, P) satisfies $W_{\text{cell}} \in \mathcal{W}(b, p)$ for some $b > 0$ depending only on a, d and P . In particular, W_{cell} is a continuous function.*

Proof. The continuity of W_{cell} is a direct consequence of the following inequality:

$$W_{\text{cell}}(\Lambda_1) \leq W_{\text{cell}}(\Lambda_2) + c(\Lambda_1, \Lambda_2)|\Lambda_1 - \Lambda_2| \quad \text{for all } \Lambda_1, \Lambda_2 \in \mathbb{M}^d, \quad (2.5)$$

where $c(\Lambda_1, \Lambda_2)$ is locally uniformly bounded. Since $W_{\text{cell}} \geq W_{\text{hom}}$ and W_{hom} is coercive, W_{cell} is also coercive. Using now $\phi \equiv 0$ as a test function in (2.2), we deduce $W_{\text{cell}}(\Lambda) \leq a(1 + |\Lambda|^p)$ from the growth condition on W . Then $W_{\text{cell}} \in \mathcal{W}(b, p)$ for some $b \geq a > 0$.

Let us prove inequality (2.5). By Lemma 1 we have

$$W_{\text{cell}}(\Lambda) = \min \left\{ \int_{Q \cap P} W(x, \Lambda + \nabla \phi(x)) dx : \phi \in W_{\text{per}}^{1,p}(Q, \mathbb{R}^d) \right\}. \quad (2.6)$$

Due to the growth condition from above satisfied by $W(x, \cdot)$, there exists $c > 0$ such that for every $\Lambda_1, \Lambda_2 \in \mathbb{M}^d$, there holds

$$|W(x, \Lambda_1) - W(x, \Lambda_2)| \leq c|\Lambda_1 - \Lambda_2|(1 + |\Lambda_1|^{p-1} + |\Lambda_2|^{p-1})$$

This property, which is classical for convex functions, holds for rank-one convex functions (see [11, Lemma 5.2]). Let now $\Lambda_1, \Lambda_2 \in \mathbb{M}^d$, and let $\phi_1, \phi_2 \in W_{\text{per}}^{1,p}(Q, \mathbb{R}^d)$ be minimizers associated with Λ_1 and Λ_2 through (2.6). We then have

$$\begin{aligned} W_{\text{cell}}(\Lambda_1) - W_{\text{cell}}(\Lambda_2) &= \int_{Q \cap P} W(x, \Lambda_1 + \nabla \phi_1(x)) - W(x, \Lambda_2 + \nabla \phi_2(x)) dx \\ &\leq \int_{Q \cap P} W(x, \Lambda_1 + \nabla \phi_2(x)) - W(x, \Lambda_2 + \nabla \phi_2(x)) dx \\ &\leq \int_{Q \cap P} c|\Lambda_1 - \Lambda_2|(1 + |\Lambda_1|^{p-1} + |\Lambda_2|^{p-1} + |\Lambda_2 + \nabla \phi_2(x)|^{p-1}) dx. \end{aligned}$$

Using the coercivity of W (lower bound in (2.1)), we may bound $\|\Lambda_2 + \nabla \phi_2\|_{L^p}^p$ from above by the energy, which is less than $c(1 + |\Lambda_2|^p)$ using the test function $\phi \equiv 0$ in (2.6) and

the upper bound of (2.1). Hence, there exists a constant $c > 0$ such that the inequality

$$W_{\text{cell}}(\Lambda_1) - W_{\text{cell}}(\Lambda_2) \leq c|\Lambda_1 - \Lambda_2|(1 + |\Lambda_1|^{p-1} + |\Lambda_2|^{p-1}),$$

holds for any $\Lambda_1, \Lambda_2 \in \mathbb{M}^d$, which proves the claim. \square

Lemma 7. *Let $W \in \mathcal{W}(a, p)$ and let P satisfy Hypothesis 2. Assume in addition that W is quasiconvex, and that $W^{-1}(0)$ is not empty. Then $A \in \mathbb{M}^d$ belongs to the zero level-set of the cell integrand W_{cell} associated with (W, P) if and only if there exists a Q -periodic Lipschitz function $\phi : \mathbb{R}^d \rightarrow \mathbb{R}^d$ satisfying*

$$A + \nabla\phi(x) \in W^{-1}(0) \quad \text{for } \mathcal{L}^d\text{-a.e. } x \in Q \cap P.$$

Proof. The condition is obviously sufficient. By Lemma 1 we have

$$W_{\text{cell}}(\Lambda) = \min \left\{ \int_{Q \cap P} W(\Lambda + \nabla\phi(x)) dx : \phi \in W_{\text{per}}^{1,p}(Q, \mathbb{R}^d) \right\}. \quad (2.7)$$

Let $A \in W_{\text{cell}}^{-1}(0)$ and let $\phi \in W_{\text{per}}^{1,p}(Q, \mathbb{R}^d)$ be a minimizer associated with A through (2.7). Then

$$W(A + \nabla\phi(x)) = 0 \quad \text{for } \mathcal{L}^d\text{-a.e. } x \in Q \cap P.$$

Since $W^{-1}(0)$ is compact and $Q \cap P$ has a Lipschitz boundary, the function $\phi|_{Q \cap P}$ has a Lipschitz representative. The conclusion follows by taking a Lipschitz Q -periodic extension of $\phi|_{Q \cap P}$ on \mathbb{R}^d . \square

A similar characterization of the level-set of the cell integrand holds in the case of mixtures.

Lemma 8. ([4, Lemma 4.4]). *Let $W_1, W_2 \in \mathcal{W}(a, p)$ be two quasiconvex functions such that $W_1^{-1}(0)$ and $W_2^{-1}(0)$ are not empty. Given a measurable subset U of Q , let $W : \mathbb{R}^d \times \mathbb{M}^d \rightarrow [0, +\infty)$ be defined by*

$$W(x, \Lambda) := \chi(x)W_1(\Lambda) + (1 - \chi(x))W_2(\Lambda),$$

where χ is the Q -periodic extension on \mathbb{R}^d of $Q \ni x \mapsto \chi_U(x)$. Then $A \in \mathbb{M}^d$ belongs to the zero level-set of the cell integrand W_{cell} associated with W if and only if there exists a Q -periodic Lipschitz function $\phi : \mathbb{R}^d \rightarrow \mathbb{R}^d$ satisfying

$$A + \nabla\phi(x) \in \begin{cases} W_1^{-1}(0) & \text{for } \mathcal{L}^d\text{-a.e. } x \in U \\ W_2^{-1}(0) & \text{for } \mathcal{L}^d\text{-a.e. } x \in Q \setminus U \end{cases}.$$

Remark 1. The previous lemma shows that in the case of a mixture of the type $W = \chi W_1 + (1 - \chi)W_2$, the zero level-set of W_{cell} depends only on the zero level-sets of W_1 and W_2 ; and not on their global shapes or growths. The same property can be proved for the zero level-set of W_{hom} (see [7, Theorem 1.3]). This fact is one of the keys of our counterexamples: we have to introduce suitable zero level-sets first, and only afterwards construct suitable functions.

2.3. Stefan Müller's counterexample. The energy under consideration $W^\eta : \mathbb{R}^2 \times \mathbb{M}^2 \rightarrow [0, +\infty)$, $(x, \Lambda) \mapsto \chi^\eta(x)W_0(\Lambda)$ models a two-dimensional laminate composite, made of a strong material and a soft material. The coefficient χ^η is the Q -periodic extension on \mathbb{R}^2 of

$$\chi^\eta(x) := \begin{cases} 1 & \text{if } x_1 \in (0, 1/2) \\ \eta & \text{if } x_1 \in [1/2, 1) \end{cases},$$

where $Q \ni x = (x_1, x_2)$ and $\eta > 0$. The energy density $W_0 : \mathbb{M}^2 \rightarrow [0, +\infty)$ is given by $W_0(\Lambda) = |\Lambda|^4 + f(\det \Lambda)$ where

$$f(z) := \begin{cases} \frac{8(1+a)^2}{z+a} - 8(1+a) - 4 & \text{if } z > 0 \\ \frac{8(1+a)^2}{a} - 8(1+a) - 4 - \frac{8(1+a)^2}{a^2}z & \text{if } z \leq 0 \end{cases}$$

for some $a \in (0, 1/2)$.

In particular, $W^\eta(x, \cdot)$ is a non-negative polyconvex function satisfying a standard growth condition (2.1) of order $p = 4$. Its zero level-set is SO_2 for all $x \in Q$.

We respectively denote by W_{cell}^η and W_{hom}^η the cell integrand and the homogenized integrand associated with W^η .

Using the one-well rigidity (Liouville theorem) on the unit cell and using 'buckling-like' test-functions on several periodic cells (see Figure 1), Stefan Müller obtained the following result.

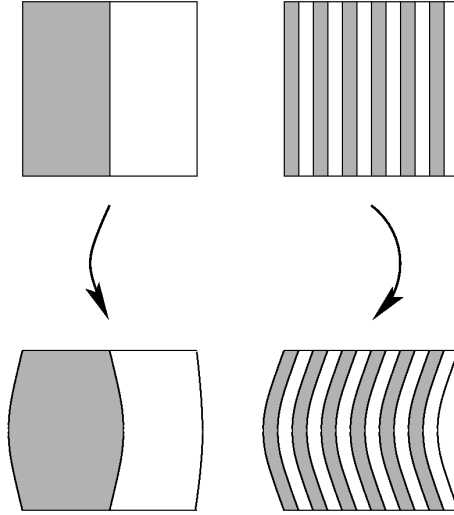


FIGURE 1. Compression of one periodic cell and buckling of several periodic cells

Theorem 3. [13, Theorem 4.3] *For all $\lambda \in (\pi/4, 1)$, there exist $c_1, c_2 > 0$ independent of η , such that*

$$\begin{aligned} W_{\text{hom}}^\eta(\Lambda) &\leq \eta c_1 \\ W_{\text{cell}}^\eta(\Lambda) &\geq c_2, \end{aligned}$$

where $\Lambda := \text{diag}(1, \lambda)$, hence proving that the strict inequality $W_{\text{cell}}^\eta(\Lambda) > W_{\text{hom}}^\eta(\Lambda)$ holds provided η is small enough.

However, in view of the following proposition, Theorem 3 does not allow to conclude whether the inequality $\mathcal{Q}W_{\text{cell}}^\eta(\Lambda) \geq W_{\text{hom}}^\eta(\Lambda)$ may be strict or not. Note, in particular, that W_{cell}^η is not even a rank-one convex (and a fortiori not quasiconvex).

Proposition 1. *For all $\lambda \in (0, 1)$, there exists $c > 0$ independent of η such that*

$$\mathcal{R}W_{\text{cell}}^\eta(\Lambda) \leq \eta c, \quad (2.8)$$

where $\Lambda := \text{diag}(1, \lambda)$.

Proof. Let $\{\mathbf{e}_1, \mathbf{e}_2\}$ be the canonical basis of \mathbb{R}^2 . Since, by Jensen's inequality,

$$\mathcal{R}W_{\text{cell}}^\eta(\Lambda) \leq \inf \left\{ \int_0^1 W_{\text{cell}}^\eta(\Lambda + \phi'(t)\mathbf{e}_1 \otimes \mathbf{e}_2) dt : \phi \in W_{\text{per}}^{1,\infty}((0, 1)) \right\} \quad (2.9)$$

it is enough to exhibit a test function $\phi \in W_{\text{per}}^{1,\infty}((0, 1))$ such that the majoration in (2.8) holds. Let $\phi \in W_{\text{per}}^{1,\infty}((0, 1))$ be such that

$$\phi'(t) = \bar{\chi}(t)\sqrt{1 - \lambda^2},$$

where $\bar{\chi}$ is the $(0, 1)$ -periodic extension on \mathbb{R} of

$$\bar{\chi}(t) := \begin{cases} 1 & \text{if } t \in (0, 1/2) \\ -1 & \text{if } t \in [1/2, 1) \end{cases}.$$

We also choose $\varphi \in L^\infty((0, 1), W_{\text{per}}^{1,\infty}(Q, \mathbb{R}^2))$ such that

$$\nabla_y \varphi(t, y) = \bar{\chi}(y_1) \begin{pmatrix} \lambda - 1 & 0 \\ -\bar{\chi}(t)\sqrt{1 - \lambda^2} & 0 \end{pmatrix},$$

Then, in the strong phase ($\bar{\chi}(y_1) = 1$), the test function $\Lambda + \phi'(t)\mathbf{e}_1 \otimes \mathbf{e}_2 + \nabla_y \varphi(t, y)$ is the rotation

$$\begin{pmatrix} \lambda & \pm\sqrt{1 - \lambda^2} \\ \mp\sqrt{1 - \lambda^2} & \lambda \end{pmatrix},$$

and, in the soft phase ($\bar{\chi}(y_1) = -1$), the deformation gradient is of the form

$$A := \begin{pmatrix} 2 - \lambda & \pm\sqrt{1 - \lambda^2} \\ \pm\sqrt{1 - \lambda^2} & \lambda \end{pmatrix}. \quad (2.10)$$

Hence, by (2.2) and (2.9)

$$\mathcal{R}W_{\text{cell}}^\eta(\Lambda) \leq \int_0^1 \int_Q W^\eta(y, \Lambda + \phi'(t)\mathbf{e}_1 \otimes \mathbf{e}_2 + \nabla_y \varphi(t, y)) dy dt \leq \frac{1}{2} \eta W_0(A),$$

for some A of the form (2.10). \square

Remark 2. As shown in the Appendix, Proposition 1 holds in dimension three in a weaker form, by substituting the rank-one convex hull with the quasiconvex hull of W_{cell}^η .

2.4. Counterexample by comparison of the zero level-sets. Let us consider the following matrices of \mathbb{M}^2

$$\begin{aligned} A &:= \text{diag}(-1, 1), \quad B := \text{diag}(0, 1), \quad C := \text{diag}(0, 1/2), \\ \mathbb{I} &:= \text{diag}(1, 1), \quad \text{and } \mathbb{O} := \text{diag}(0, 0), \end{aligned}$$

and two quasiconvex functions $W_1, W_2 \in \mathcal{W}(a, p)$ such that

$$W_1^{-1}(0) = \{\mathbb{O}, A\} \quad \text{and} \quad W_2^{-1}(0) = \{\mathbb{O}, \mathbb{I}\}.$$

We define $W : \mathbb{R}^2 \times \mathbb{M}^2 \rightarrow [0, \infty)$ by

$$W(x, \Lambda) := \chi(x)W_1(\Lambda) + (1 - \chi(x))W_2(\Lambda),$$

where χ is given by $\chi := \chi_{(0,1/2) \times (0,1)}$ in Q and extended by periodicity to the whole \mathbb{R}^2 .

Then, Jean-François Babadjian and the first author proved in [4, Example 6.1] that $W_{\text{cell}}(\mathbb{I}) = W_{\text{cell}}(B) = W_{\text{hom}}(\mathbb{I}) = W_{\text{hom}}(B) = 0$ and $W_{\text{cell}}(C) > 0$. Since $C \in \{\mathbb{O}, B\}^{rc}$ and W_{hom} is rank-one convex, this implies that $W_{\text{hom}}(C) = 0 < W_{\text{cell}}(C)$. However, one also has $\mathcal{R}W_{\text{cell}}(C) = 0$.

3. COUNTEREXAMPLES FROM COMPOSITE MATERIALS

In this section, we propose two examples for which $\mathcal{Q}W_{\text{cell}}(\Lambda) > W_{\text{hom}}(\Lambda)$ for some $\Lambda \in \mathbb{M}^2$. The first one relies on the rigidity of periodic discrete gradients, whereas the second example uses the rigidity of the incompatible two-well problem together with the periodicity constraint. Both examples are based on the same geometry (see Figures 2 and 4).

3.1. Discrete example. Let us first describe the geometry and the energy of the model.

Geometry. The triangulation \mathcal{T} of \mathbb{R}^2 is the Q -periodic replication of the triangulation $\{T_1, \dots, T_8\}$ of Q (see the numerotation of Figure 2) defined as follows.

$$\begin{aligned} T_1 &:= \{x \in Q : x_2 \geq x_1 + 1/2\}, & T_5 &:= T_4 - (1/2, -1/2), \\ T_3 &:= \{x \in Q : x_2 \leq -x_1 + 1/2\}, & T_6 &:= T_3 + (1/2, 1/2), \\ T_2 &:= \{x \in Q : x_2 \geq -x_1 + 3/2\}, & T_7 &:= T_2 - (1/2, 1/2), \\ T_4 &:= \{x \in Q : x_2 \leq x_1 - 1/2\}, & T_8 &:= T_1 + (1/2, -1/2). \end{aligned} \tag{3.1}$$

We will make use of the following notation: for all $n \in \mathbb{N}$, \mathcal{T}_n denotes the restriction of \mathcal{T} to Q_n , while for all $m \in \mathbb{Z}^2$ and $\tau \in \{1, \dots, 8\}$, $T_\tau^m = T_\tau + m$. Moreover, for $i \in \{1, 2, 3\}$, we denote by $x_{\tau,i}^m$ the i^{th} vertex of the triangle T_τ^m and we set $\mathcal{N}_\tau^m := \{x_{\tau,1}^m, x_{\tau,2}^m, x_{\tau,3}^m\}$. For the vertices in ∂Q we use a simpler notation: $y^1 := (0, 1/2)$, $y^2 := (1/2, 0)$, $y^3 := (1, 1/2)$, $y^4 := (1/2, 1)$, $y^5 := (0, 1)$, $y^6 := (0, 0)$, $y^7 := (1, 0)$, and $y^8 := (1, 1)$.

Energy. Let U be a bounded open subset of \mathbb{R}^2 . Given $u \in \mathcal{S}(U, \mathbb{R}^2)$, $m \in \mathbb{Z}^2$ such that $Q^m \subseteq U$, $\tau \in \{1, \dots, 8\}$, and $i \in \{1, 2, 3\}$, we set

$$\begin{aligned} \nabla u_\tau^m &:= \nabla u|_{T_\tau^m} \quad (\text{which is constant on } T_\tau^m) \\ u_{\tau,i}^m &:= u(x_{\tau,i}^m). \end{aligned}$$

Let $f_1, f_2 : \mathbb{R}^2 \rightarrow [0, +\infty)$ be defined by

$$\begin{aligned} f_1(z) &:= (z^2 - 1)^2 \\ f_2(z) &:= (z - 1)^2. \end{aligned}$$

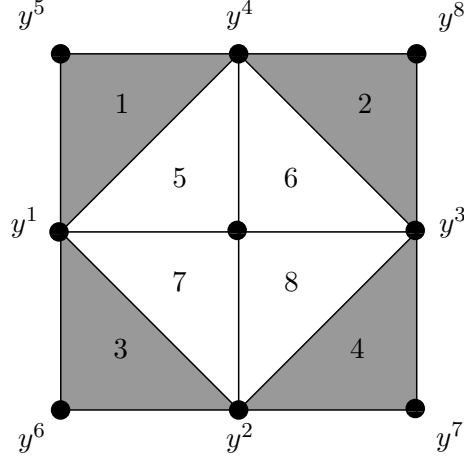


FIGURE 2. Geometry.

As in Definition 4, for all $\eta > 0$ we consider the energy

$$F^\eta(u, U) := \sum_{m \in \mathbb{Z}^2 : Q^m \subseteq U} F^{\eta, m}(u),$$

where, for any $m \in \mathbb{Z}^2$ such that $Q^m \subseteq U$,

$$F^{\eta, m}(u) := \sum_{\tau=1}^4 \left[\frac{1}{8} f_2(\det \nabla u_\tau^m) + \sum_{i, j \in \mathcal{N}_\tau^m, i < j} \frac{\eta}{2} f_1 \left(\frac{|u_{\tau, i}^m - u_{\tau, j}^m|}{|x_{\tau, i}^m - x_{\tau, j}^m|} \right) \right] \\ + \sum_{\tau=5}^8 \left[\frac{\eta}{8} f_2(\det \nabla u_\tau^m) + \sum_{i, j \in \mathcal{N}_\tau^m, i < j} \frac{\eta}{2} f_1 \left(\frac{|u_{\tau, i}^m - u_{\tau, j}^m|}{|x_{\tau, i}^m - x_{\tau, j}^m|} \right) \right].$$

The model satisfies the assumptions of Theorem 2. We respectively denote by W_{cell}^η and W_{hom}^η the cell integrand and the homogenized integrand associated with (\mathcal{T}, F^η) .

Theorem 4. *For all $\lambda > 1$ and $\eta > 0$ the following properties hold*

- 1) $\mathcal{Q}W_{\text{cell}}^\eta(\lambda \mathbb{I})$ is bounded from below by $(\lambda^2 - 1)^2/2$;
- 2) there exists $c > 0$ independent of η such that $W_{\text{hom}}^\eta(\lambda \mathbb{I}) \leq \eta c$.

Therefore the strict inequality $\mathcal{Q}W_{\text{cell}}^\eta(\lambda \mathbb{I}) > W_{\text{hom}}^\eta(\lambda \mathbb{I})$ holds provided η is small enough.

Proof.

Property 1). For all $\eta > 0$, consider the energy

$$\tilde{F}^\eta(u, U) := \sum_{m \in \mathbb{Z}^2 : Q^m \subseteq U} \tilde{F}^{\eta, m}(u),$$

where, for any $m \in \mathbb{Z}^2$ such that $Q^m \subseteq U$,

$$\tilde{F}^{\eta, m}(u) := \sum_{\tau=1}^4 \frac{1}{8} f_2(\det \nabla u_\tau) + \sum_{\tau=5}^8 \frac{\eta}{8} f_2(\det \nabla u_\tau).$$

Let $\widetilde{W}_{\text{cell}}^\eta$ be the cell integrand associated with $(\mathcal{T}, \widetilde{F}^\eta)$. Since we have neglected the non-negative contributions of the terms involving f_1 , we have $W_{\text{cell}}^\eta \geq \widetilde{W}_{\text{cell}}^\eta$.

For all $\eta > 0$ and $\Lambda \in \mathbb{M}^2$ invertible, we claim that

$$\widetilde{W}_{\text{cell}}^\eta(\Lambda) = \widetilde{F}^\eta(\varphi_\Lambda, Q).$$

Let ψ be an admissible deformation of the form $\psi = \varphi_\Lambda + \phi$, $\phi \in \mathcal{S}_{\text{per}}(Q, \mathbb{R}^2)$. Due to the periodicity constraint on Q , we have that

$$\begin{aligned} \frac{1}{4}(\det \nabla \psi|_{T_1} + \det \nabla \psi|_{T_2} + \det \nabla \psi|_{T_3} + \det \nabla \psi|_{T_4}) &= \det \Lambda, \\ \frac{1}{4}(\det \nabla \psi|_{T_5} + \det \nabla \psi|_{T_6} + \det \nabla \psi|_{T_7} + \det \nabla \psi|_{T_8}) &= \det \Lambda. \end{aligned} \quad (3.2)$$

To prove this assertion, up to multiplying $\nabla \psi$ by Λ^{-1} , it is enough to consider $\Lambda = \mathbb{I}$. Up to a translation, we can write

$$\begin{aligned} \psi(y^1) &= (\alpha_1, 1/2 + \beta_1) & \psi(y^5) &= (0, 1) \\ \psi(y^3) &= (1 + \alpha_1, 1/2 + \beta_1) & \psi(y^6) &= (0, 0) \\ \psi(y^2) &= (1/2 + \alpha_2, \beta_2) & \psi(y^7) &= (1, 0) \\ \psi(y^4) &= (1/2 + \alpha_2, 1 + \beta_2) & \psi(y^8) &= (1, 1) \end{aligned}$$

for suitable $\alpha_1, \alpha_2, \beta_1, \beta_2 \in \mathbb{R}$. A straightforward calculation then shows that

$$\begin{aligned} \det \nabla \psi|_{T_1} &= 4(\alpha_1 \beta_2 - (\beta_1 - 1/2)(\alpha_2 + 1/2)) \\ \det \nabla \psi|_{T_2} &= 4(-\alpha_1 \beta_2 + (\beta_1 - 1/2)(\alpha_2 - 1/2)) \\ \det \nabla \psi|_{T_3} &= 4(-\alpha_1 \beta_2 + (\beta_1 + 1/2)(\alpha_2 + 1/2)) \\ \det \nabla \psi|_{T_4} &= 4(\alpha_1 \beta_2 - (\beta_1 + 1/2)(\alpha_2 - 1/2)). \end{aligned}$$

Thus, as expected,

$$\frac{1}{4}(\det \nabla \psi|_{T_1} + \det \nabla \psi|_{T_2} + \det \nabla \psi|_{T_3} + \det \nabla \psi|_{T_4}) = 1$$

and the second equation of (3.2) follows now from the fact that $\int_Q \det(\Lambda + \nabla \phi) = \det \Lambda$ because \det is a null Lagrangian.

Hence, by Jensen's inequality (f_2 is a convex function),

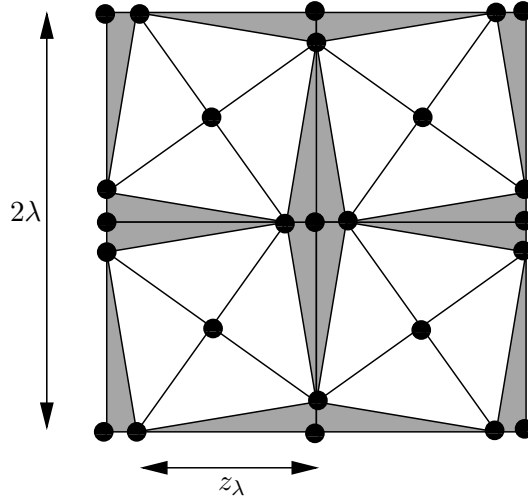
$$\widetilde{W}_{\text{cell}}^\eta(\Lambda) = \frac{1}{2}(1 + \eta)f_2(\det \Lambda).$$

Since $\widetilde{W}_{\text{cell}}^\eta$ is a polyconvex function (hence quasiconvex) not greater than W_{cell}^η on \mathbb{M}^2 , for all $\lambda \geq 1$ there holds

$$\mathcal{Q}W_{\text{cell}}^\eta(\lambda \mathbb{I}) \geq \widetilde{W}_{\text{cell}}^\eta(\lambda \mathbb{I}) \geq \frac{1}{2}f_2(\det \lambda \mathbb{I}) = \frac{1}{2}(\lambda^2 - 1)^2.$$

Property 2). Let z_λ be a solution of $z_\lambda(\lambda - z_\lambda) = 1/8$. We define a Q_2 -periodic competitor ψ as on Figure 3. The deformation is the symmetrization in Q_2 of the following deformation of the unit cube Q :

$$\begin{aligned} \psi(y^1) &= (0, z_\lambda) & \psi(y^5) &= (0, \lambda) \\ \psi(y^2) &= (\lambda - z_\lambda, 0) & \psi(y^6) &= (0, 0) \\ \psi(y^3) &= (\lambda, \lambda - z_\lambda) & \psi(y^7) &= (\lambda, 0) \\ \psi(y^4) &= (z_\lambda, \lambda) & \psi(y^8) &= (\lambda, \lambda). \end{aligned}$$

FIGURE 3. Deformation of Q_2 by the Q_2 -periodic competitor ψ .

Notice that, by definition of z_λ ,

$$\mathcal{L}^2(\psi(T_i^m)) = \frac{1}{8} = \mathcal{L}^2(T_i^m) \quad \text{for } i \in \{1, 2, 3, 4\},$$

which shows that $\det \nabla \psi = 1$ in the strong phase, and therefore

$$f_2(\det \nabla \psi)|_{T_1^m \cup T_2^m \cup T_3^m \cup T_4^m} = 0.$$

Hence, $F^\eta(\psi, Q_2) = \eta F^1(\psi, Q_2)$. Since $\psi - \varphi_{\lambda \mathbb{I}} \in \mathcal{S}_{\text{per}}(Q_2, \mathbb{R}^2)$, we finally have

$$W_{\text{hom}}^\eta(\lambda \mathbb{I}) \leq \frac{1}{4} F^\eta(\psi, Q_2) = \frac{1}{4} \eta F^1(\psi, Q_2). \quad \square$$

3.2. An example from solid-solid phase transformations. To build the following counterexample, we introduce energy densities on Q such that a phenomenon similar to the one on Subsection 3.1 may occur at the continuous level. The rigidity now relies on the set of matrices we introduce hereafter.

- Matrices in \mathbb{M}^2

$$A_1 := \text{diag}(1, 1), \quad A_2 := \text{diag}(4, 3), \quad B_1 := \text{diag}(1, 3), \quad B_2 := \text{diag}(4, 1),$$

$$C := \frac{1}{2} \text{diag}(5, 4), \quad R := \frac{1}{\sqrt{2}} \begin{pmatrix} 1 & 1 \\ -1 & 1 \end{pmatrix}.$$

- Compact sets in \mathbb{M}^2

$$\begin{aligned} K_1 &:= SO_2 A_1 \cup SO_2 A_2, & K_2 &:= SO_2 B_1 \cup SO_2 B_2, \\ H_1 &:= K_1 R, & H_2 &:= (K_2 R)^{pc}. \end{aligned}$$

- Geometry (see Figure 4)

$$U_1 := \bigcup_{i=1}^4 T_i, \quad U_2 := Q \setminus U_1,$$

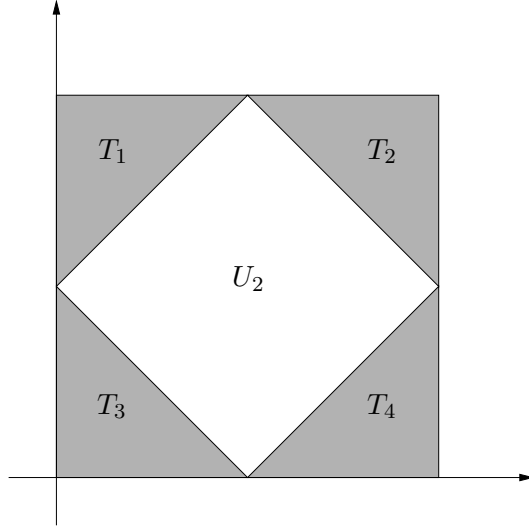


FIGURE 4. Geometry.

where T_1, \dots, T_4 are defined as in (3.1).

The counterexample is as follows.

Theorem 5. *Let $W_1, W_2 \in \mathcal{W}(a, p)$ be two quasiconvex functions (to be built later) such that*

$$W_1^{-1}(0) = H_1 \quad \text{and} \quad W_2^{-1}(0) = H_2. \quad (3.3)$$

Consider the energy density $W : \mathbb{R}^2 \times \mathbb{M}^2 \rightarrow [0, +\infty)$ defined by

$$W(x, \Lambda) := \chi(x)W_1(\Lambda) + (1 - \chi(x))W_2(\Lambda),$$

where χ is given by $\chi := \chi_{U_1}$ in Q and extended by periodicity to the whole \mathbb{R}^2 . The following properties hold:

- 1) *the cell integrand W_{cell} related to W is bounded from below by a constant $c > 0$;*
- 2) *CR belongs to the zero level-set of the homogenized integrand W_{hom} related to W .*

Therefore $\mathcal{Q}W_{\text{cell}}(CR) \geq c > W_{\text{hom}}(CR)$.

We will make use of the following facts in the proof.

- i) *The compact set K_1 is polyconvex and rigid, i.e., if $U \subseteq \mathbb{R}^2$ is an open connected set and $\psi : U \rightarrow \mathbb{R}^2$ is a Lipschitz function such that*

$$\nabla\psi(x) \in K_1 \quad \text{for } \mathcal{L}^2\text{-a.e. } x \in U,$$

then ψ is affine. We refer to [16, Theorem 2] and [14, Theorem 4.11] for the proofs. Since R is a rotation, the same properties hold for H_1 .

- ii) *$H_1 \cap H_2 = \emptyset$, because by Lemma 4*

$$H_2 \subseteq \{\Lambda \in \mathbb{M}^2 : \det \Lambda \in [3, 4]\}.$$

iii) A_1 is rank-one connected to B_1 and B_2 , and A_2 to B_1 and B_2 also. More precisely, denoting by $\{\mathbf{e}_1, \mathbf{e}_2\}$ the canonical basis in \mathbb{R}^2 ,

$$\begin{aligned} A_1 - B_1 &= -2\mathbf{e}_2 \otimes \mathbf{e}_2 \\ A_1 - B_2 &= -3\mathbf{e}_1 \otimes \mathbf{e}_1 \\ A_2 - B_1 &= 3\mathbf{e}_1 \otimes \mathbf{e}_1 \\ A_2 - B_2 &= 2\mathbf{e}_2 \otimes \mathbf{e}_2. \end{aligned}$$

Proof of Theorem 5.

Property 1). Since W_{cell} grows superlinearly at infinity and is continuous by Lemma 6, it is enough to prove that $W_{\text{cell}}(\Lambda) \neq 0$ for any $\Lambda \in \mathbb{M}^2$. We proceed by contradiction and assume there exists $\Lambda \in \mathbb{M}^2$ such that $W_{\text{cell}}(\Lambda) = 0$. By Lemma 8, there exists a Q -periodic Lipschitz function $\phi : \mathbb{R}^2 \rightarrow \mathbb{R}^2$ such that

$$\Lambda + \nabla\phi(x) \in \begin{cases} H_1 & \text{for } \mathcal{L}^2\text{-a.e. } x \in U_1 \\ H_2 & \text{for } \mathcal{L}^2\text{-a.e. } x \in U_2. \end{cases} \quad (3.4)$$

Due to the rigidity, we infer that there exists $D_i \in H_1$ such that $\Lambda + \nabla\phi(x) = D_i$ for \mathcal{L}^2 -a.e. $x \in T_i$. Again by the rigidity, the periodicity condition implies that there exists $D \in H_1$ such that $D_i = D$ for all $i \in \{1, 2, 3, 4\}$.

By observing that $\psi(x) := (\Lambda - D) \cdot x + \phi(x)$ belongs to $W_0^{1,\infty}(U_2)$ (up to a translation), from the definition of quasiconvexity we get

$$W_2(D) \leq \int_{U_2} W_2(D + \nabla\psi(x)) dx = \int_{U_2} W_2(\Lambda + \nabla\phi(x)) dx = 0$$

and so $D \in H_2$, which contradicts $H_1 \cap H_2 = \emptyset$.

Property 2). It is sufficient to find $\phi \in W_{\text{per}}^{1,p}(Q_2, \mathbb{R}^2)$ such that

$$\int_{Q_2} W(x, CR + \nabla\phi(x)) dx = 0. \quad (3.5)$$

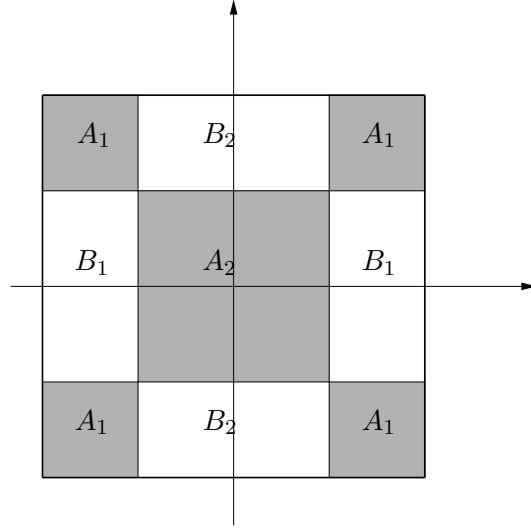
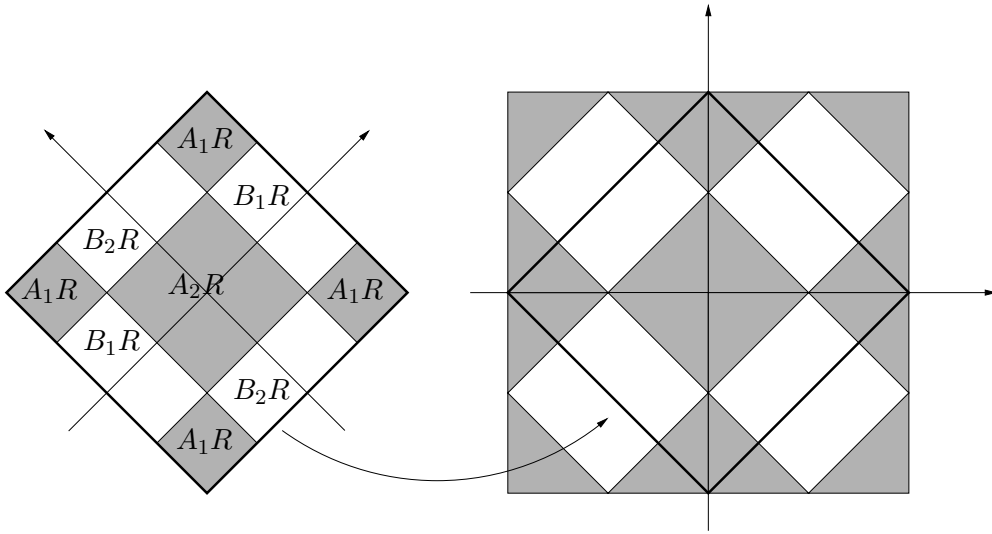
This can be accomplished by using the function $\psi : (-1/\sqrt{2}, 1/\sqrt{2})^2 \rightarrow \mathbb{R}^2$ defined as follows:

$$\psi^{(1)}(x) := \begin{cases} x_1 & \text{if } x \in (-1/\sqrt{2}, -\sqrt{2}/4) \times (-1/\sqrt{2}, 1/\sqrt{2}) \\ 4x_1 + 3\sqrt{2}/4 & \text{if } x \in [-\sqrt{2}/4, \sqrt{2}/4] \times (-1/\sqrt{2}, 1/\sqrt{2}) \\ x_1 + 3\sqrt{2}/2 & \text{if } x \in (\sqrt{2}/4, 1/\sqrt{2}) \times (-1/\sqrt{2}, 1/\sqrt{2}) \end{cases};$$

$$\psi^{(2)}(x) := \begin{cases} x_2 & \text{if } x \in (-1/\sqrt{2}, 1/\sqrt{2}) \times (-1/\sqrt{2}, -\sqrt{2}/4) \\ 3x_2 + \sqrt{2}/2 & \text{if } x \in (-1/\sqrt{2}, 1/\sqrt{2}) \times [-\sqrt{2}/4, \sqrt{2}/4] \\ x_2 + \sqrt{2} & \text{if } x \in (-1/\sqrt{2}, 1/\sqrt{2}) \times (\sqrt{2}/4, 1/\sqrt{2}) \end{cases}.$$

The gradient of ψ is sketched on Figure 5. Let φ be the $(-1/\sqrt{2}, 1/\sqrt{2})^2$ -periodic extension of $x \mapsto \psi(x) - C \cdot x$. Then $\phi : x \mapsto \varphi(R \cdot x)$ is a Q_2 -periodic functions which satisfies (3.5). Actually, as illustrated on Figure 6, $CR + \nabla\phi(x + m) = CR + \nabla\varphi(R \cdot x)R \in H_1$ for $(x, m) \in U_1 \times \mathbb{Z}^2$ and $CR + \nabla\phi(x + m) \in H_2$ for $(x, m) \in U_2 \times \mathbb{Z}^2$. \square

To complete the counterexample we need to build two quasiconvex functions W_1, W_2 satisfying (3.3).

FIGURE 5. Values of $\nabla\psi$.FIGURE 6. The values of $CR + \nabla\phi$ in $R^{-1}(-1/\sqrt{2}, 1/\sqrt{2})^2$. On the left the axes are oriented in the directions $R^{-1}\mathbf{e}_1$ and $R^{-1}\mathbf{e}_2$.

Lemma 9. *Let H be a compact, polyconvex and frame-invariant subset of \mathbb{M}^2 . Given $p \in (1, +\infty)$, for a suitable $a > 0$ there exists a quasiconvex frame-invariant function $W \in \mathcal{W}(a, p)$ such that*

$$W^{-1}(0) = H.$$

If $p \geq 2$, then W can be chosen polyconvex.

Proof. Let $V(\Lambda) := \text{dist}(\Lambda, H)^p$ and set $W(\Lambda) := \mathcal{Q}V(\Lambda)$. By Lemma 5, $W^{-1}(0) = H$. Since the Frobenius norm is frame-invariant, the same holds for V , and therefore for W

since for all $\Lambda \in \mathbb{M}^2$ and all $R \in SO_2$,

$$\begin{aligned} W(R\Lambda) &= \inf \left\{ \int_Q V(R\Lambda + \nabla\phi) dx : \phi \in W_0^{1,p}(Q, \mathbb{R}^2) \right\} \\ &= \inf \left\{ \int_Q V(R\Lambda + R\nabla R^{-1}\phi) dx : \phi \in W_0^{1,p}(Q, \mathbb{R}^2) \right\} \\ &= \inf \left\{ \int_Q V(R(\Lambda + \nabla\varphi)) dx : \varphi \in W_0^{1,p}(Q, \mathbb{R}^2) \right\} \\ &= \inf \left\{ \int_Q V(\Lambda + \nabla\varphi) dx : \varphi \in W_0^{1,p}(Q, \mathbb{R}^2) \right\} = W(\Lambda). \end{aligned}$$

A different construction allows us to consider a polyconvex energy density in the case $p \in [2, +\infty)$. We define the functions

$$V_1(\Lambda) := \text{dist}(\Lambda, H^{co})^p \quad \text{and} \quad V_2(\Lambda) := \text{dist}(\mathbf{M}(\Lambda), L)^{\frac{p}{2}},$$

where $L := \{\mathbf{M}(\Lambda) : \Lambda \in H\}^{co}$. Both are polyconvex and with p -growth, moreover V_1 is p -coercive and, by Lemma 4, the zero level-set of V_2 is H . The function $W := \max\{V_1, V_2\}$ does the job. In addition, it is easy to verify that also in this case W is frame-invariant. \square

Remark 3. The previous lemma is optimal, because a polyconvex function with subquadratic growth is convex (see [9, Corollary 5.9]).

3.3. Comparison of both examples. In the discrete example, the zero level-set of the energy density of the strong phase is $\mathcal{J} = \{\Lambda \in \mathbb{M}^2, \det \Lambda = 1\}$, the space of isochoric deformations, which is not rigid. The rigidity comes from the structure of Q -periodic discrete gradients on \mathcal{T} .

In the continuous example, we replace $\mathcal{S}_{\text{per}}(Q, \mathbb{R}^2)$ by $W_{\text{per}}^{1,p}(Q, \mathbb{R}^2)$, hence adding much more flexibility to the periodic gradients. In order to keep the required rigidity, we then replace \mathcal{J} by H_1 in the strong phase.

The rigidity of the discrete example lies in (3.2), whereas the rigidity of the continuous example lies in (3.4).

Compared to Stefan Müller's example, the repartition of the strong phase in Q allows to take full advantage of the constraint of periodicity in both examples of this section. On the contrary, in Section 2.3, the periodicity constraint is lost in the x_1 -direction, as shown by Proposition 1.

4. COUNTEREXAMPLE ON PERFORATED DOMAINS

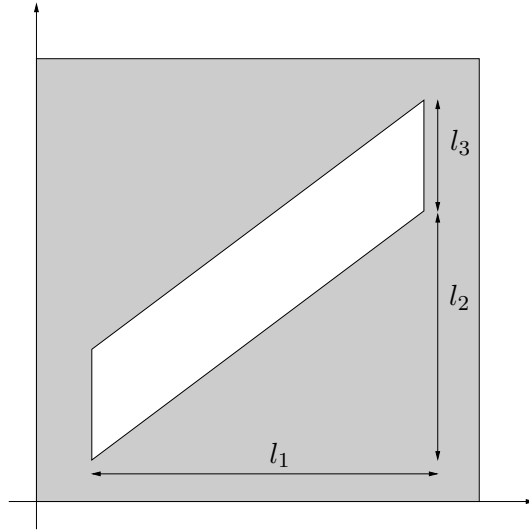
We obtain the counterexample using the same strategy as for the case of mixtures: we choose a suitable polyconvex function $W : \mathbb{M}^d \rightarrow [0, +\infty)$ by focusing on its zero level-set $K \subseteq \mathbb{M}^d$ first. Since $Q \cap P$ is connected and we need a certain flexibility to construct a Q_2 -periodic competitor, the set K shall not be too rigid.

Let us begin by describing the geometry of the subset P , sketched on Figure 7.

Definition 11. The set P is the complement in \mathbb{R}^2 of the set $\bigcup_{m \in \mathbb{Z}^2} O + m$, where

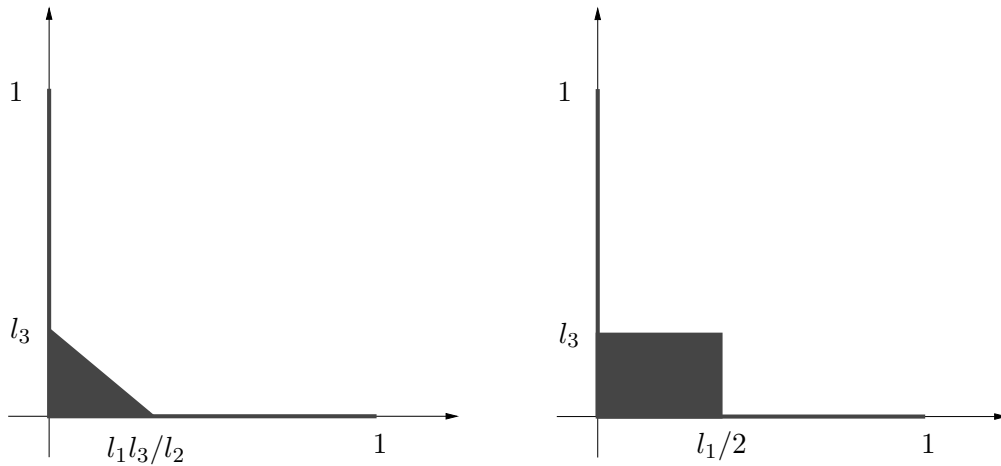
$$O := \{x \in Q : x_1 \in [1/8, 7/8] \text{ and } 3x_1 \leq 4x_2 \leq 3x_1 + 1\}.$$

Let us introduce some sets in the space \mathbb{M}^2 , that we will use to describe the energy density.

FIGURE 7. In grey the set $Q \cap P$.

Definition 12. Let $l_1 := 3/4$, $l_2 := 9/16$ and $l_3 := 1/4$. We consider the following sets (see Figure 8):

- $K_1 := \{\text{diag}(s, 0) : s \in (0, 1]\}$ and $K_2 := \{\text{diag}(0, t) : t \in (0, 1]\}$;
- $K := K_1 \cup K_2 \cup \{\text{diag}(0, 0)\}$;
- $H := \{\text{diag}(s, t) : s, t \in [0, 1] \text{ and } t \leq 1 - s\}$;
- $L := \{\text{diag}(s, t) : 0 < s \leq l_1 l_3 / l_2 \text{ and } 0 < t \leq l_3 - l_2 s / l_1\}$;
- $M := \{\text{diag}(s, t) : 0 < s \leq l_1 / 2 \text{ and } 0 < t \leq l_3\}$.

FIGURE 8. A representation of $K \cup L$ and $K \cup M$ in \mathbb{R}^2 , identified with the set of the diagonal matrices.

The counterexample is as follows.

Theorem 6. *Let $p \in [2, +\infty)$ and let $W : \mathbb{M}^2 \rightarrow [0, +\infty)$ be given by*

$$W(\Lambda) := \text{dist}(\Lambda, H)^p + |\det(\Lambda)|^{\frac{p}{2}},$$

where H is as in Definition 12. Then, W is polyconvex and belongs to $\mathcal{W}(a, p)$ for a suitable $a > 0$. Moreover, with the notation of Definitions 11 and 12, it holds that

- 1) the zero level-set of the cell integrand W_{cell} related to (W, P) coincides with $K \cup L$;
- 2) the zero level-set of the homogenized integrand W_{hom} related to (W, P) contains $K \cup M$;
- 3) $K \cup L$ is quasiconvex.

Therefore, for all $\Lambda \in (K \cup M) \setminus (K \cup L) \neq \emptyset$, $\mathcal{Q}W_{\text{cell}}(\Lambda) > W_{\text{hom}}(\Lambda) = 0$.

Proof. The set H being convex, $\Lambda \mapsto \text{dist}(\Lambda, H)^p$ is a convex function. Since $\Lambda \mapsto |\det \Lambda|^{\frac{p}{2}}$ is polyconvex, W is polyconvex. It is easy to verify that W satisfies (2.1) for a suitable $a > 0$. The strict inequality $\mathcal{Q}W_{\text{cell}}(\Lambda) > W_{\text{hom}}(\Lambda)$ is a direct consequence of 1)-3) using Lemmata 5 and 6. Let us split the proof of 1)-3) into three steps.

Step 1. Since $W^{-1}(0) = K$, by using $\phi \equiv 0$ as a test function in (2.2), we obtain $K \subseteq W_{\text{cell}}^{-1}(0)$. Let us check that $L \subseteq W_{\text{cell}}^{-1}(0)$. Given $s \in (0, l_1 l_3 / l_2)$ and $t \in (0, l_3 - l_2 s / l_1)$, we define $\psi : Q \rightarrow \mathbb{R}^2$ by

$$\psi^{(1)}(x) := \begin{cases} 0 & \text{if } x \in (0, 1/2) \times (0, 1) \\ x_1 - 1/2 & \text{if } x \in [1/2, 1/2 + s] \times (0, 1) ; \\ s & \text{if } x \in (1/2 + s, 1) \times (0, 1) \end{cases} \quad (4.1)$$

$$\psi^{(2)}(x) := \begin{cases} 0 & \text{if } x \in (0, 1) \times (0, 5/8 - t) \\ x_2 - 5/8 + t & \text{if } x \in (0, 1) \times [5/8 - t, 5/8] . \\ t & \text{if } x \in (0, 1) \times (5/8, 1) \end{cases}$$

Let ϕ be the Q -periodic extension of $x \mapsto \psi(x) - \text{diag}(s, t) \cdot x$. Then $\text{diag}(s, t) + \nabla \phi(x) \in K$ if $x \in Q \cap P$. Indeed, $\nabla \psi(x) \notin K$ only if x belongs to $[1/2, 1/2 + s] \times [5/8 - t, 5/8] \subseteq O$. There, $\nabla \psi \equiv \text{diag}(1, 1)$ (see Figures 9 and 10).

It remains to proceed with the delicate part of the argument: the opposite inclusion $W_{\text{cell}}^{-1}(0) \subseteq K \cup L$. Let $C = (c_{ij}) \in W_{\text{cell}}^{-1}(0)$. By Lemma 7, there exists a Q -periodic Lipschitz function $\phi : \mathbb{R}^2 \rightarrow \mathbb{R}^2$ such that $C + \nabla \phi(x) \in K$ for \mathcal{L}^2 -a.e. $x \in Q \cap P$. Let $\psi(x) = \phi(x) + C \cdot x$. We will show that ψ is substantially a laminate as in (4.1). Let us point out that if $\Lambda = (\lambda_{ij}) \in K$, then either $\lambda_{11} = 0$ or $\lambda_{22} = 0$.

We use the following notation:

$$L^s := \{r \in (0, 1) : (s, r) \in (\{s\} \times (0, 1)) \cap P\};$$

$$L_s := \{r \in (0, 1) : (r, s) \in ((0, 1) \times \{s\}) \cap P\}.$$

Note that $L^s = (0, 1)$ if $s \in (0, 1/8) \cup (7/8, 1)$ and that L^s has two connected components if $s \in [1/8, 7/8]$. Similarly, $L_s = (0, 1)$ if $s \in (0, 3/32) \cup (29/32, 1)$ and it has two connected components if $s \in [3/32, 29/32]$.

Since $\partial_2 \psi^{(1)}(x) = 0$ for \mathcal{L}^2 -a.e. $x \in Q \cap P$, $\psi^{(1)}(s, \cdot)$ is constant along any connected component of L^s for all $s \in (0, 1)$. In particular for $s \in (0, 1/8) \cup (7/8, 1)$, $\psi^{(1)}(s, \cdot)$ is constant and therefore the $(0, 1)$ -periodicity of $\phi(s, \cdot)$ imposes that $c_{12} = 0$. For $s \in$

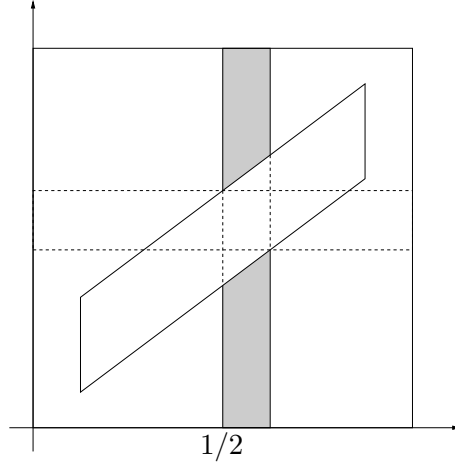


FIGURE 9. The first component of ψ is flat on $Q \cap P$ with the exception of the grey zone, where the gradient is equal to $(1, 0)$.

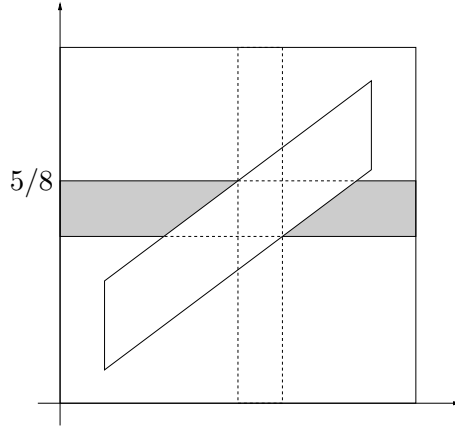


FIGURE 10. The second component of ψ is flat on $Q \cap P$ with the exception of the grey zone, where the gradient is equal to $(0, 1)$.

$[1/8, 7/8]$, $\psi^{(1)}(s, \cdot)$ is constant on each of the two connected components of L^s . Hence, by periodicity, $\psi^{(1)}(s, \cdot)$ is constant on the whole L^s .

From the fact that $\psi^{(1)}(s, \cdot)$ is constant along L^s for any $s \in (0, 1)$, we can deduce that if $\bar{x} \in Q \cap P$ is a differentiability point for $\psi^{(1)}$, then $\psi^{(1)}$ is differentiable in all $\{\bar{x}_1\} \times L^{\bar{x}_1}$ and

$$\nabla \psi^{(1)}(x) = \nabla \psi^{(1)}(\bar{x}) \quad \forall x \in \{\bar{x}_1\} \times L^{\bar{x}_1}. \quad (4.2)$$

Similarly, one can show that $c_{21} = 0$ and that if $\bar{x} \in Q \cap P$ is a differentiability point for $\psi^{(2)}$, then $\psi^{(2)}$ is differentiable in all $L^{\bar{x}_2} \times \{\bar{x}_2\}$ and

$$\nabla \psi^{(2)}(x) = \nabla \psi^{(2)}(\bar{x}) \quad \forall x \in L^{\bar{x}_2} \times \{\bar{x}_2\}. \quad (4.3)$$

Let X_1, X_2 be two \mathcal{L}^1 -negligible subsets of the interval $(0, 1)$ such that ψ is differentiable in $\tilde{P} := (Q \cap P) \setminus (X_1 \times X_2)$ and $\nabla \psi(x) \in K$ for all $x \in \tilde{P}$. Let us show that, if for some

$\bar{x} \in \tilde{P}$ there holds $\nabla\psi(\bar{x}) \in K_1$, then

$$\nabla\psi(x) \in K_1 \cup \{\text{diag}(0,0)\} \quad \forall x \in \tilde{P} \cap ((0,1) \times L^{\bar{x}_1}). \quad (4.4)$$

In fact, since $\nabla\psi^{(1)}(\bar{x}) \neq (0,0)$, we have $\nabla\psi^{(1)} \neq (0,0)$ in $\{\bar{x}_1\} \times L^{\bar{x}_1}$ due to (4.2) and therefore $\nabla\psi \in K_1$ in $\{\bar{x}_1\} \times (L^{\bar{x}_1} \setminus X_2)$. As now $\nabla\psi^{(2)} \equiv (0,0)$ on $\{\bar{x}_1\} \times (L^{\bar{x}_1} \setminus X_2)$, (4.3) implies that $\nabla\psi^{(2)} \equiv (0,0)$ in $\tilde{P} \cap ((0,1) \times L^{\bar{x}_1})$, which proves (4.4).

We are in position to conclude the first step. Given $\bar{s} \in (0, 1/8) \setminus X_1$ and $\bar{t} \in (0, 3/32) \setminus X_2$, we define the following two sets.

$$\begin{aligned} S &:= \{s \in (0,1) \setminus X_1 : \partial_1\psi^{(1)}(s, \bar{t}) > 0\}; \\ T &:= \{t \in (0,1) \setminus X_2 : \partial_2\psi^{(2)}(\bar{s}, t) > 0\}. \end{aligned}$$

Since $\nabla\psi \in K$, $0 \leq \partial_1\psi^{(1)}(s, \bar{t}) \leq 1$ for all $s \in S$, and we infer from

$$c_{11} = \int_0^1 c_{11} + \partial_1\psi^{(1)}(s, \bar{t}) ds = \int_0^1 \partial_1\psi^{(1)}(s, \bar{t}) ds = \int_S \partial_1\psi^{(1)}(s, \bar{t}) ds,$$

that $0 \leq c_{11} \leq \mathcal{L}^1(S)$. Similarly, $0 \leq c_{22} \leq \mathcal{L}^1(T)$. In particular this shows that

$$c_{11}, c_{22} \in [0, 1].$$

If $c_{11} > 0$, for any $\varepsilon > 0$ there exist $s_1, s_2 \in S$ such that $s_2 - s_1 \geq c_{11} - \varepsilon$. Recalling that if $\nabla\psi(x) \in K$ and $\partial_1\psi^{(1)}(x) > 0$ then $\nabla\psi(x) \in K_1$, from (4.4), we obtain

$$\nabla\psi(x) \in K_1 \cup \{\text{diag}(0,0)\} \quad \forall x \in \tilde{P} \cap ((0,1) \times (L^{s_1} \cup L^{s_2})).$$

Since $T \subseteq (0,1) \setminus (L^{s_1} \cup L^{s_2})$, we have the estimate

$$c_{22} \leq \mathcal{L}^1(T) \leq \max\left\{0, \frac{l_2}{l_1}(s_1 - s_2) + l_3\right\} \leq \max\left\{0, \frac{l_2}{l_1}(-c_{11} + \varepsilon) + l_3\right\}.$$

The arbitrariness of $\varepsilon > 0$ completes the proof of the step.

Step 2. Since W_{hom} is rank-one convex and $W_{\text{hom}}^{-1}(0) \supseteq K$, it is sufficient to prove that

$$C := \text{diag}(l_1/2, l_3) \in W_{\text{hom}}^{-1}(0).$$

Let us construct a Lipschitz function $\psi : Q_2 \rightarrow \mathbb{R}^2$ such that $\nabla\psi \in K$ \mathcal{L}^2 -a.e. in $Q_2 \cap P$ and $x \mapsto \psi(x) - C \cdot x$ has a Lipschitz Q_2 -periodic extension ϕ on \mathbb{R}^2 . In this way we get

$$W_{\text{hom}}(C) \leq \frac{1}{4} \int_{Q_2 \cap P} W(C + \nabla\phi(x)) dx = 0.$$

Despite the complexity of the following description, the function ψ is very simple.

Consider the following sets (see Figure 11):

- $U := \{x \in [1/8, 1] \times [3/32, 3/32 + l_2] : 4x_2 < 3x_1\}$;
- $U_1 := ([0, 1] \times [0, 3/32 + l_2]) \setminus (U \cup O)$;
- $U_2 := \{x \in [1/8, 1] \times [3/32, 3/32 + l_3] : 4x_2 < 3x_1\}$;
- $U_3 := \{x \in [0, 1]^2 : (1, 1) - x \in U_2\}$;
- $U_4 := \{x \in [0, 1]^2 : (1, 1) - x \in U_1\}$;
- $U_5 := U \cup ([0, 1] \times [0, 1/8])$;
- $U_6 := [0, 1/8] \times [3/32, 3/32 + l_3]$;

- $U_7 := \{x \in [0, 1]^2 : (1, 1) - x \in U_6\}$;
- $U_8 := \{x \in [0, 1]^2 : (1, 1) - x \in U_5\}$.

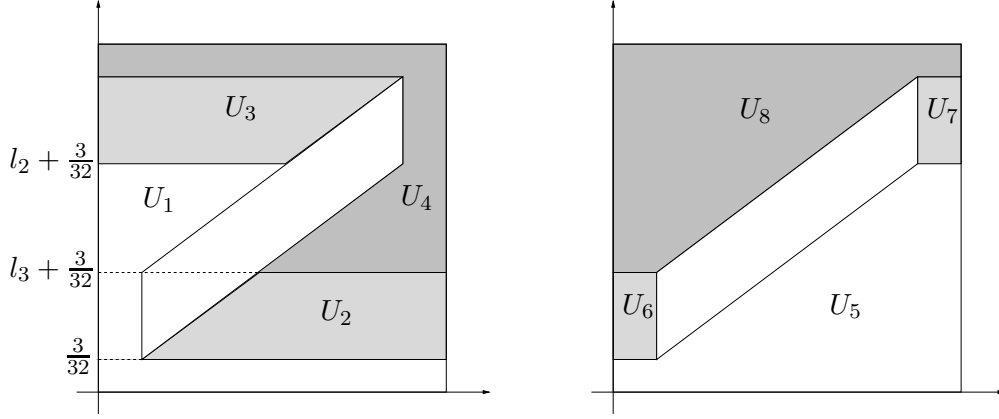


FIGURE 11

To simplify the exposition, we introduce two auxiliary Lipschitz functions $\varphi_1, \varphi_2 : [0, 1]^2 \setminus O \rightarrow \mathbb{R}$:

$$\varphi_1(x) := \begin{cases} 0 & \text{if } x \in U_1 \\ x_2 - 3/32 & \text{if } x \in U_2 \\ x_2 - l_2 - 3/32 & \text{if } x \in U_3 \\ l_3 & \text{if } x \in U_4 \end{cases};$$

$$\varphi_2(x) := \begin{cases} 0 & \text{if } x \in U_5 \\ x_2 - 3/32 & \text{if } x \in U_6 \\ x_2 - l_2 - 3/32 & \text{if } x \in U_7 \\ l_3 & \text{if } x \in U_8 \end{cases}.$$

Both φ_1 and φ_2 can be extended to Lipschitz maps in all $[0, 1]^2$.

We are now in position to define the desired function $\psi : Q_2 \rightarrow \mathbb{R}^2$ (see Figures 12, 13 and 14).

$$\psi^{(1)}(x) := \begin{cases} 0 & \text{if } x \in (0, 9/8] \times (0, 2) \\ x_1 - 9/8 & \text{if } x \in (9/8, 9/8 + l_1] \times (0, 2) \\ l_1 & \text{if } x \in (9/8 + l_1, 2) \times (0, 2) \end{cases};$$

$$\psi^{(2)}(x) := \begin{cases} \varphi_1(x) & \text{if } x \in (0, 1] \times (0, 1] \\ \varphi_2(x - (1, 0)) & \text{if } x \in (1, 2) \times (0, 1] \\ \varphi_1(x - (0, 1)) + l_3 & \text{if } x \in (0, 1] \times (1, 2) \\ \varphi_2(x - (1, 1)) + l_3 & \text{if } x \in (1, 2) \times (1, 2) \end{cases}. \quad (4.5)$$

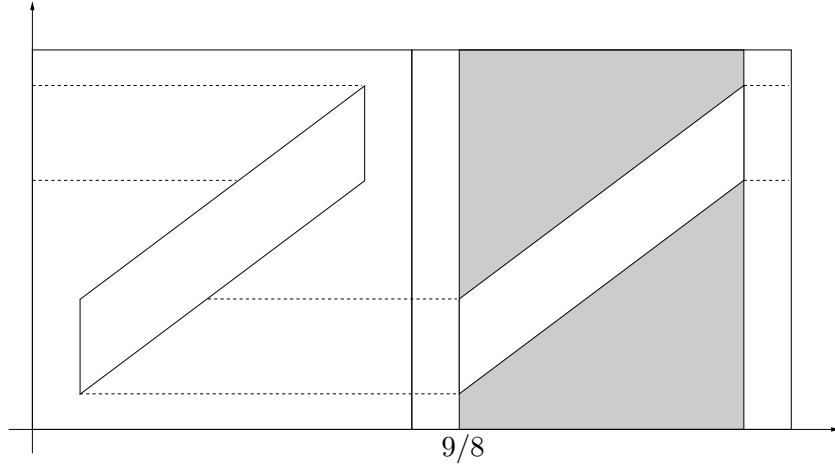


FIGURE 12. In $[(0, 2) \times (0, 1)] \cap P$ the first component of ψ is flat with the exception of the grey zone, where the gradient is equal to $(1, 0)$.

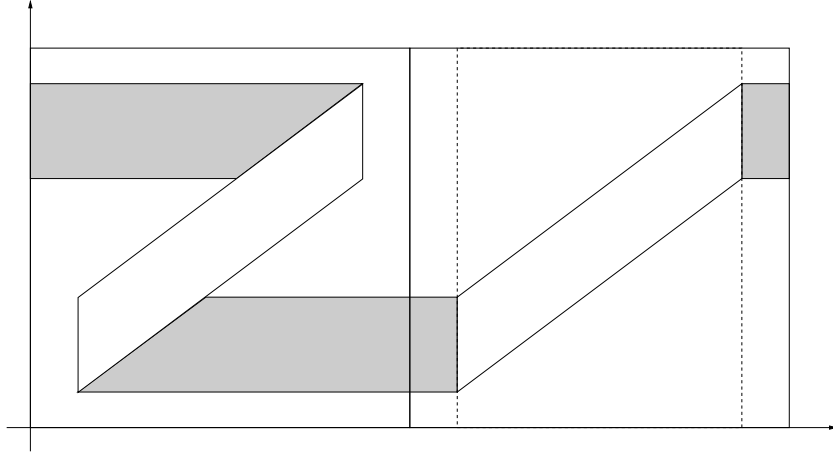


FIGURE 13. In $[(0, 2) \times (0, 1)] \cap P$ the second component of ψ is flat with the exception of the grey zone, where the gradient is equal to $(0, 1)$.

Step 3. As a consequence of [14, Theorem 4.10], [15, Theorem 1] and the convexity of H , for any $C \in H$ the set

$$N_C := \{D \in H : D - C \text{ is not positive definite}\}$$

is quasiconvex. Since for any $D \in H \setminus (K \cup L)$ there exists a $C \in H \setminus (K \cup L)$ such that

$$D \notin N_C, \quad \text{whereas} \quad K \cup L \subseteq N_C,$$

we can conclude that

$$(K \cup L)^{qc} \subseteq \bigcap_{C \in H \setminus (K \cup L)} N_C = K \cup L$$

and then $K \cup L$ is quasiconvex.

□

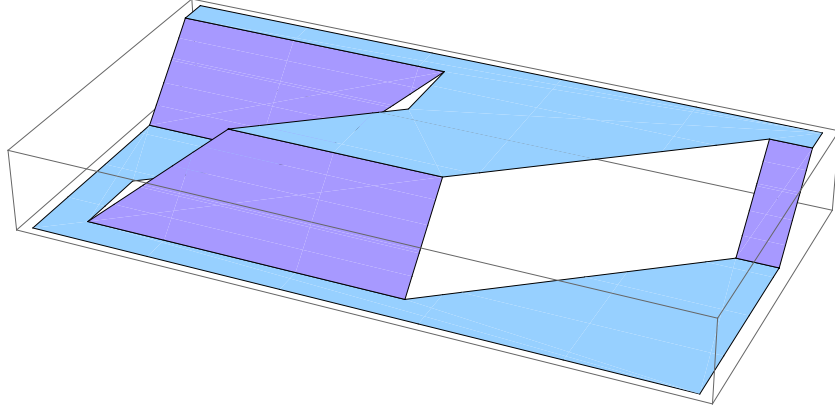


FIGURE 14. The graph of the second component of ψ in $[(0, 2) \times (0, 1)] \cap P$.

Remark 4. The proof of Theorem 6 does not take advantage of the particular structure of W but it is based only on the fact that $W^{-1}(0) = K$. Therefore, instead of W we can consider the function $V : \mathbb{M}^2 \rightarrow [0, +\infty)$ defined as the quasiconvex envelope of $\text{dist}(\cdot, K)^p$, $p \in (1, +\infty)$. Indeed, since K is polyconvex (because zero level-set of the polyconvex function W), by Lemma 5 it follows that $V^{-1}(0) = K$. Note that in this way our counterexample covers also the case of energy densities with growth $p \in (1, 2)$.

Remark 5. Let N be a convex and compact subset of \mathbb{M}^2 sufficiently large so that $\nabla\psi \in N$ a.e. in Q_2 , where ψ is defined as in (4.5). Consider now the function $V : \mathbb{R}^2 \times \mathbb{M}^2 \rightarrow [0, +\infty)$ defined by

$$V(x, \Lambda) := \chi_P(x)W(\Lambda) + (1 - \chi_P(x))\text{dist}(\Lambda, N)^p.$$

Since $W_{\text{cell}} \leq V_{\text{cell}}$, we have the inclusion $V_{\text{cell}}^{-1}(0) \subseteq K \cup L$. We also have the inclusion $K \cup M \subseteq V_{\text{hom}}^{-1}(0)$: in fact $K \subseteq V_{\text{hom}}^{-1}(0)$ (because $K \subseteq N$) and $\text{diag}(l_1/2, l_3) \in V_{\text{hom}}^{-1}(0)$ (by using again ψ). In this way we can conclude that also by mixing a polyconvex function and a convex function, the inequality $\mathcal{Q}V_{\text{cell}} > V_{\text{hom}}$ can occur.

APPENDIX: STEFAN MÜLLER'S EXAMPLE IN DIMENSION THREE

To show that Proposition 1 is not peculiar to dimension two, let us consider the corresponding energy for a three-dimensional soft material reinforced by a strong plate. The energy is now given by $W_0 : \mathbb{M}^3 \ni \Lambda \mapsto |\Lambda|^4 + f(\det \Lambda)$ where

$$f(z) := \begin{cases} \frac{12(1+a)^2}{z+a} - 12(1+a) - 9 & \text{if } z > 0 \\ \frac{12(1+a)^2}{a} - 12(1+a) - 9 - \frac{12(1+a)^2}{a^2}z & \text{if } z \leq 0 \end{cases}$$

for $a \in (0, 1/2)$. The energy density under consideration is still of the form $W^\eta : \mathbb{R}^3 \times \mathbb{M}^3 \rightarrow [0, +\infty)$, $(x, \Lambda) \mapsto \chi^\eta(x)W_0(\Lambda)$ where χ^η is the Q -periodic extension on \mathbb{R}^3 of

$$\chi^\eta(x) := \begin{cases} 1 & \text{if } x_1 \in (0, 1/2) \\ \eta & \text{if } x_1 \in [1/2, 1) \end{cases},$$

with $Q = (0, 1)^3 \ni x = (x_1, x_2, x_3)$ and $\eta > 0$. Such an energy density is non-negative, polyconvex, frame-invariant and its zero level-set is SO_3 .

Proposition 2. *For all $\lambda_1, \lambda_2 \in (0, 1)$, there exists $c > 0$ independent of η such that*

$$\mathcal{Q}W_{\text{cell}}^\eta(\Lambda) \leq \eta c,$$

where $\Lambda := \text{diag}(1, \lambda_1, \lambda_2)$.

Proof. Essentially, one has to construct a Lipschitz domain U of \mathbb{R}^3 , a function $\phi \in W_{\text{per}}^{1,\infty}(Q, \mathbb{R}^3)$ and a function $\varphi \in L^\infty(U, W_{\text{per}}^{1,\infty}(Q, \mathbb{R}^3))$ such that $\Lambda + \nabla\phi(x) + \nabla_y\varphi(x, y) \in SO_3$ for all $x \in U$ and $y \in (0, 1/2) \times (0, 1)^2$ (the strong phase of the material).

Notation. The canonical basis of \mathbb{R}^3 is denoted by $\{\mathbf{e}_1, \mathbf{e}_2, \mathbf{e}_3\}$.

We will use the angles θ and γ defined by

$$\begin{aligned} \cos \theta &= \lambda_1, & \sin \theta &= \sqrt{1 - \lambda_1^2}, \\ \cos \gamma &= \lambda_2, & \sin \gamma &= \sqrt{1 - \lambda_2^2}. \end{aligned}$$

We set $\rho := \sqrt{\sin^2 \theta + \cos^2 \theta \sin^2 \gamma}$ and define the unit vectors \mathbf{e}_4 and \mathbf{e}_5 by

$$\begin{aligned} \mathbf{e}_4 &:= \frac{1}{\rho} (\sin \theta \mathbf{e}_2 + \cos \theta \sin \gamma \mathbf{e}_3), \\ \mathbf{e}_5 &:= \frac{1}{\rho} (\sin \theta \mathbf{e}_2 - \cos \theta \sin \gamma \mathbf{e}_3). \end{aligned}$$

Definition of U . In order to describe U , we need the following quantity

$$\tau := \frac{\cos \theta \sin \gamma}{\sin \theta}.$$

We set $U := U_1 \cup U_2 \cup U_3 \cup U_4$, where

$$\begin{aligned} U_1 &:= \{(x_1, x_2, x_3) : 0 < x_1 < 1; 0 < x_3 \leq 1/2; 1/2 - \tau x_3 \leq x_2 < 1 - \tau x_3\}, \\ U_2 &:= \{(x_1, x_2, x_3) : 0 < x_1 < 1; 0 < x_3 \leq 1/2; -\tau x_3 < x_2 \leq 1/2 - \tau x_3\}, \\ U_3 &:= \{(x_1, x_2, x_3) : 0 < x_1 < 1; 1/2 \leq x_3 < 1; 1/2 - \tau(1 - x_3) \leq x_2 < 1 - \tau(1 - x_3)\}, \\ U_4 &:= \{(x_1, x_2, x_3) : 0 < x_1 < 1; 1/2 \leq x_3 < 1; -\tau(1 - x_3) < x_2 \leq 1/2 - \tau(1 - x_3)\}. \end{aligned}$$

The domains U_1, U_2, U_3, U_4 are sketched on Figure 15. Note that the interface between U_1 and U_2 (resp. U_3 and U_4) is perpendicular to \mathbf{e}_4 (resp. \mathbf{e}_5).

Definition of ϕ . We consider the piecewise constant function $G \in L^\infty(U, \mathbb{M}^3)$ of the form

$$G = \begin{pmatrix} 0 & \times & \times \\ 0 & \times & \times \\ 0 & 0 & 0 \end{pmatrix},$$

where the non zero two-dimensional submatrix $\begin{pmatrix} \times & \times \\ \times & \times \end{pmatrix}$ is one the following four possible submatrices:

$$\begin{aligned} A_1 &:= \begin{pmatrix} \sin \theta & \cos \theta \sin \gamma \\ 0 & -\sin \theta \sin \gamma \end{pmatrix} \text{ in } U_1, & A_2 &:= \begin{pmatrix} -\sin \theta & -\cos \theta \sin \gamma \\ 0 & -\sin \theta \sin \gamma \end{pmatrix} \text{ in } U_2, \\ A_3 &:= \begin{pmatrix} \sin \theta & -\cos \theta \sin \gamma \\ 0 & \sin \theta \sin \gamma \end{pmatrix} \text{ in } U_3, & A_4 &:= \begin{pmatrix} -\sin \theta & \cos \theta \sin \gamma \\ 0 & \sin \theta \sin \gamma \end{pmatrix} \text{ in } U_4, \end{aligned}$$

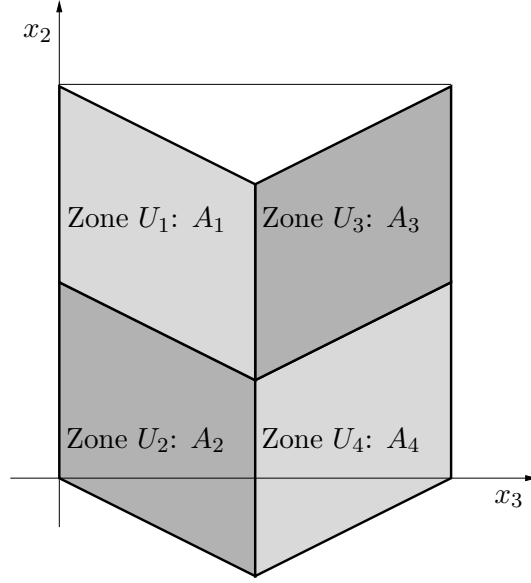


FIGURE 15. Domain U (in the plane generated by $\{\mathbf{e}_2, \mathbf{e}_3\}$).

according to Figure 15.

Let us check that G is a gradient field:

$$\begin{aligned}
 A_1 - A_3 &= 2[\cos \theta \sin \gamma \mathbf{e}_1 - \sin \theta \sin \gamma \mathbf{e}_2] \otimes \mathbf{e}_3 \\
 A_2 - A_4 &= 2[-\cos \theta \sin \gamma \mathbf{e}_1 - \sin \theta \sin \gamma \mathbf{e}_2] \otimes \mathbf{e}_3 \\
 A_1 - A_2 &= 2\mathbf{e}_1 \otimes [\sin \theta \mathbf{e}_2 + \cos \theta \sin \gamma \mathbf{e}_3] \\
 &= 2\rho \mathbf{e}_1 \otimes \mathbf{e}_4 \\
 A_3 - A_4 &= 2\mathbf{e}_1 \otimes [\sin \theta \mathbf{e}_2 - \cos \theta \sin \gamma \mathbf{e}_3] \\
 &= 2\rho \mathbf{e}_1 \otimes \mathbf{e}_5.
 \end{aligned}$$

These couples of matrices being rank-one connected, G is actually a gradient field $\nabla \phi$ on U . This gradient can be extended by periodicity (due to the boundary conditions).

Definition of φ . We consider the following specific rotations in 3D, which are compositions of rotations around \mathbf{e}_2 and \mathbf{e}_3 :

$$\begin{aligned}
 R(\alpha, \beta) &:= \begin{pmatrix} \cos \alpha & -\sin \alpha & 0 \\ \sin \alpha & \cos \alpha & 0 \\ 0 & 0 & 1 \end{pmatrix} \begin{pmatrix} \cos \beta & 0 & \sin \beta \\ 0 & 1 & 0 \\ -\sin \beta & 0 & \cos \beta \end{pmatrix} \\
 &= \begin{pmatrix} \cos \beta \cos \alpha & -\sin \alpha & \cos \alpha \sin \beta \\ \cos \beta \sin \alpha & \cos \alpha & \sin \alpha \sin \beta \\ -\sin \beta & 0 & \cos \beta \end{pmatrix},
 \end{aligned}$$

where α and β are the two angles. We also denote by $\bar{\chi}$ the Q -periodic extension on \mathbb{R}^3 of

$$\bar{\chi}(y) := \begin{cases} 1 & \text{if } y_1 \in (0, 1/2) \\ -1 & \text{if } y_1 \in [1/2, 1) \end{cases}.$$

We construct a function φ of the form $\varphi(x, y) := \sum_{i=1}^4 \chi_{U_i}(x) \varphi_i(y)$, where $\varphi_1, \dots, \varphi_4$ are defined as follows.

Zone 1. For $x \in U_1$,

$$\Lambda + \nabla\phi(x) = \begin{pmatrix} 1 & \sin\theta & \cos\theta \sin\gamma \\ 0 & \cos\theta & -\sin\theta \sin\gamma \\ 0 & 0 & \cos\gamma \end{pmatrix}.$$

We then choose $\varphi_1 \in W_{\text{per}}^{1,\infty}(Q, \mathbb{R}^3)$ such that

$$\nabla\varphi_1(y) = \bar{\chi}(y) \begin{pmatrix} \cos\gamma \cos\theta - 1 & 0 & 0 \\ -\cos\gamma \sin\theta & 0 & 0 \\ -\sin\gamma & 0 & 0 \end{pmatrix}.$$

In the strong phase ($\bar{\chi}(y) = 1$),

$$\Lambda + \nabla\phi(x) + \nabla\varphi_1(y) = \begin{pmatrix} \cos\gamma \cos\theta & \sin\theta & \cos\theta \sin\gamma \\ -\cos\gamma \sin\theta & \cos\theta & -\sin\theta \sin\gamma \\ -\sin\gamma & 0 & \cos\gamma \end{pmatrix} = R(\tilde{\theta}, \gamma)$$

is a rotation, with $\tilde{\theta} = -\theta$. In the soft phase ($\bar{\chi}(y) = -1$)

$$\Lambda + \nabla\phi(x) + \nabla\varphi_1(y) = \begin{pmatrix} 2 - \cos\gamma \cos\tilde{\theta} & -\sin\tilde{\theta} & \cos\tilde{\theta} \sin\gamma \\ -\cos\gamma \sin\tilde{\theta} & \cos\tilde{\theta} & \sin\tilde{\theta} \sin\gamma \\ \sin\gamma & 0 & \cos\gamma \end{pmatrix}.$$

Zone 2. For $x \in U_2$,

$$\Lambda + \nabla\phi(x) = \begin{pmatrix} 1 & -\sin\theta & -\cos\theta \sin\gamma \\ 0 & \cos\theta & -\sin\theta \sin\gamma \\ 0 & 0 & \cos\gamma \end{pmatrix}.$$

We then choose $\varphi_2 \in W_{\text{per}}^{1,\infty}(Q, \mathbb{R}^3)$ such that

$$\nabla\varphi_2(y) = \bar{\chi}(y) \begin{pmatrix} \cos\gamma \cos\theta - 1 & 0 & 0 \\ \cos\gamma \sin\theta & 0 & 0 \\ \sin\gamma & 0 & 0 \end{pmatrix}.$$

In the strong phase ($\bar{\chi}(y) = 1$),

$$\Lambda + \nabla\phi(x) + \nabla\varphi_2(y) = \begin{pmatrix} \cos\gamma \cos\theta & -\sin\theta & -\cos\theta \sin\gamma \\ \cos\gamma \sin\theta & \cos\theta & -\sin\theta \sin\gamma \\ \sin\gamma & 0 & \cos\gamma \end{pmatrix} = R(\theta, \tilde{\gamma})$$

is a rotation, with $\tilde{\gamma} = -\gamma$. In the soft phase ($\bar{\chi}(y) = -1$),

$$\Lambda + \nabla\phi(x) + \nabla\varphi_2(y) = \begin{pmatrix} 2 - \cos\tilde{\gamma} \cos\theta & -\sin\theta & \cos\theta \sin\tilde{\gamma} \\ -\cos\tilde{\gamma} \sin\theta & \cos\theta & \sin\theta \sin\tilde{\gamma} \\ \sin\tilde{\gamma} & 0 & \cos\tilde{\gamma} \end{pmatrix}.$$

Zones 3 and 4. Proceeding as above, one may find $\varphi_3, \varphi_4 \in W_{\text{per}}^{1,\infty}(Q, \mathbb{R}^3)$ such that for all $x \in U_3$ and $y \in (0, 1/2) \times (0, 1)^2$,

$$\Lambda + \nabla\phi(x) + \nabla\varphi_3(y) = \begin{pmatrix} \cos\gamma \cos\theta & \sin\theta & -\cos\theta \sin\gamma \\ -\cos\gamma \sin\theta & \cos\theta & \sin\theta \sin\gamma \\ \sin\gamma & 0 & \cos\gamma \end{pmatrix} = R(\tilde{\theta}, \tilde{\gamma})$$

is a rotation, with $\tilde{\theta} = -\theta, \tilde{\gamma} = -\gamma$; and for all $x \in U_4$ and $y \in (0, 1/2) \times (0, 1)^2$,

$$\Lambda + \nabla\phi(x) + \nabla\varphi_4(y) = \begin{pmatrix} \cos\gamma \cos\theta & -\sin\theta & \cos\theta \sin\gamma \\ \cos\gamma \sin\theta & \cos\theta & \sin\theta \sin\gamma \\ -\sin\gamma & 0 & \cos\gamma \end{pmatrix} = R(\theta, \gamma)$$

is a rotation.

Finally, we are in position to conclude the proof. By using ϕ and φ defined above as test-functions, one obtains

$$\mathcal{Q}W_{\text{cell}}^\eta(\Lambda) \leq \int_U \int_Q W^\eta(y, \Lambda + \nabla\phi(x) + \nabla_y\varphi(x, y)) dy dx \leq \eta c,$$

where $c = \max(W(C_i))/2$ and $\{C_i\}_i$ is the finite set of values taken by $\Lambda + \nabla\phi(x) + \nabla_y\varphi(x, y)$ in the soft phase. \square

ACKNOWLEDGMENTS

M. Barchiesi wishes to thank Andrea Braides, Giovanni Leoni and Enzo Nesi for their useful comments and suggestions. A. Gloria gratefully thanks Andrea Braides and Stefan Müller for stimulating discussions. The research of M. Barchiesi was supported by the Center for Nonlinear Analysis (NSF Grants No. DMS-0405343 and DMS-0635983). The research of A. Gloria was supported by the Hausdorff Center for Mathematics, Bonn, Germany. He also acknowledges the support from the Marie Curie Research Training Network MRTN-CT-2004-505226 ‘Multi-scale modelling and characterisation for phase transformations in advanced materials’ (MULTIMAT).

REFERENCES

- [1] R. Alicandro and M. Cicalese. A general integral representation result for the continuum limits of discrete energies with superlinear growth. *SIAM J. Math. Anal.*, 36:1–37, 2004.
- [2] R. Alicandro, M. Cicalese, and A. Gloria. Mathematical derivation of a rubber-like stored energy functional. *C. R. Acad. Sci. Paris, Série I*, 345(8):479–482, 2007.
- [3] R. Alicandro, M. Cicalese, and A. Gloria. Integral representation results for energies defined on stochastic lattices and application to nonlinear elasticity. In preparation.
- [4] J.-F. Babadjian and M. Barchiesi. A variational approach to the local character of G-closure: the convex case. *Ann. Inst. H. Poincaré Anal. Non Linéaire*, 26:351–373, 2009.
- [5] J.M. Ball and R.D. James. Fine mixtures as minimizers of energy. *Arch. Rat. Mech. Anal.*, 100:13–52, 1987.
- [6] J. M. Ball & R. D. James. Proposed experimental tests of a theory of fine microstructure and the two-well problem. *Phil. Trans. Roy. Soc. London A*, 338:389–450, 1992.
- [7] M. Barchiesi. Loss of polyconvexity by homogenization: a new example. *Calc. Var. Partial Differential Equations*, 30:215–230, 2007.
- [8] A. Braides and A. Defranceschi. *Homogenization of Multiple Integrals*, volume 12 of *Oxford Lecture Series in Mathematics and Its Applications*. Oxford University Press, 1998.
- [9] B. Dacorogna. *Direct methods in the calculus of variations*, vol. 78 of *Applied Mathematical Sciences*. Springer, Berlin, 2nd ed., 2008.

- [10] I. Fonseca & G. Leoni. *Modern methods in the Calculus of Variations: Sobolev spaces*. In preparation.
- [11] E. Giusti. *Direct methods in the calculus of variations*. World Scientific Publishing Co. Inc., River Edge, NJ, 2003.
- [12] T. Iwaniec, G. Verchota & A. Vogel. The Failure of Rank-One Connections. *Arch. Rat. Mech. Anal.*, 163:125–169, 2002.
- [13] S. Müller. Homogenization of nonconvex integral functionals and cellular elastic materials. *Arch. Rat. Anal. Mech.*, 99:189–212, 1987.
- [14] S. Müller. Variational models for microstructure and phase transitions. In *Calculus of variations and geometric evolution problems (Cetraro, 1996)*, volume 1713 of *Lecture Notes in Math.*, pages 85–210. Springer, Berlin, 1999.
- [15] V. Šverák. New examples of quasiconvex functions. *Arch. Rat. Mech. Anal.*, 119:293–300, 1992.
- [16] V. Šverák. On the problem of two wells. volume 54 of *IMA Vol. Appl. Math.*, pages 183–189. Springer, 1993.

(Marco Barchiesi) DEPARTMENT OF MATHEMATICAL SCIENCES, CARNEGIE MELLON UNIVERSITY, PITTSBURGH, PA 15213, USA

E-mail address: `marcob@andrew.cmu.edu`

(Antoine Gloria) PROJECT-TEAM SIMPAF, INRIA LILLE-NORD EUROPE, 40 AVENUE HALLEY, 59650 VILLENEUVE D’ASCQ, FRANCE

E-mail address: `antoine.gloria@inria.fr`